

PROFESSIONAL

THULE
SWEDENTHULE®
SWEDEN

- GB** Fitting instructions
D Montageanleitung
F Instructions de montage
NL Montage-instructies
I Istruzioni per il montaggio
E Instrucciones de montaje
PT Instruções de Montagem
S Monteringsanvisning
FIN Asennusohje
EST Paigaldusjuhend
LAT Stiprināšanas instrukcija
LIT Pritvirtinimo instrukcijos
PL Instrukcja montażu
RU Инструкции по установке
CZ Návod na montáž
SK Návod na montáž
SLO Navodila za pritrjevanje
HR Uputa za sastavljanje
HU A felszerelés módja
GR Οδηγίες συναρμολόγησης
TR Montaj talimatları
 中文 安装说明
 日本語 取扱(取付)説明書
 한국어 장착 지침
 ไทย คำแนะนำการติดตั้ง

HYUNDAI H-1, 5-dr Van, 08 – (With dual sliding doors)

HYUNDAI iLoad, 5-dr Van, 08 – (With dual sliding doors), (Asia)

HYUNDAI iMax, 5-dr Bus, 08 – (With dual sliding doors), (Asia)

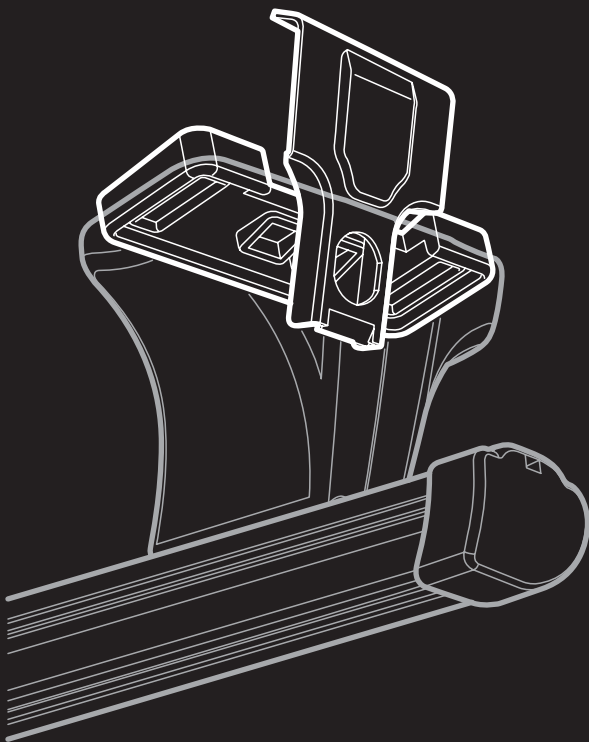
HYUNDAI Starex, 5-dr Van, 08 – (With dual sliding doors)

RAPID SYSTEM

Kit 1475



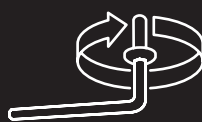
Follow me...



HYUNDAI H-1, 5-dr Van, 08 – (With dual sliding doors)
HYUNDAI iLoad, 5-dr Van, 08 – (With dual sliding doors), (Asia)
HYUNDAI iMax, 5-dr Bus, 08 – (With dual sliding doors), (Asia)
HYUNDAI Starex, 5-dr Van, 08 – (With dual sliding doors)

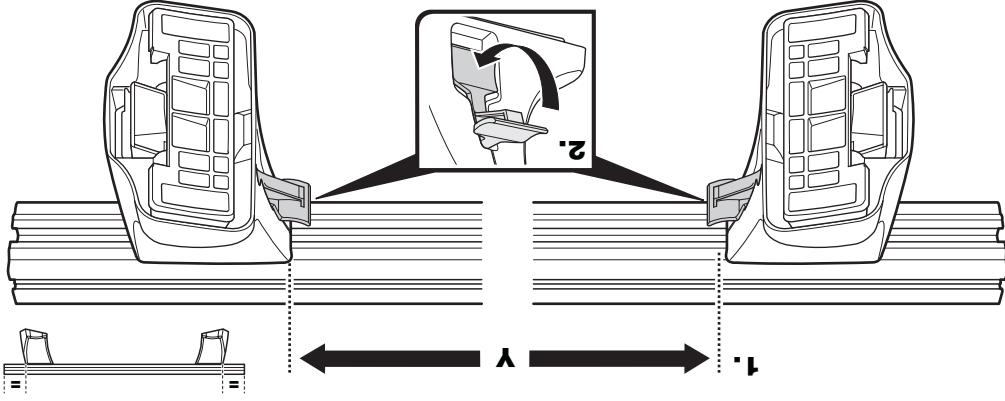


Load Carrier
Kit 1475
121475



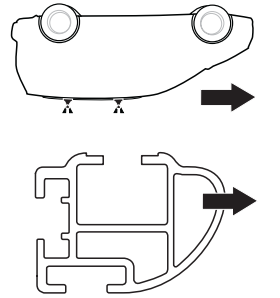
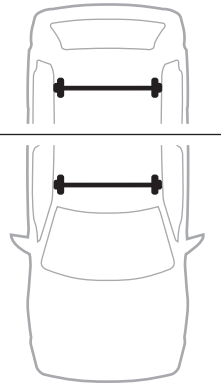
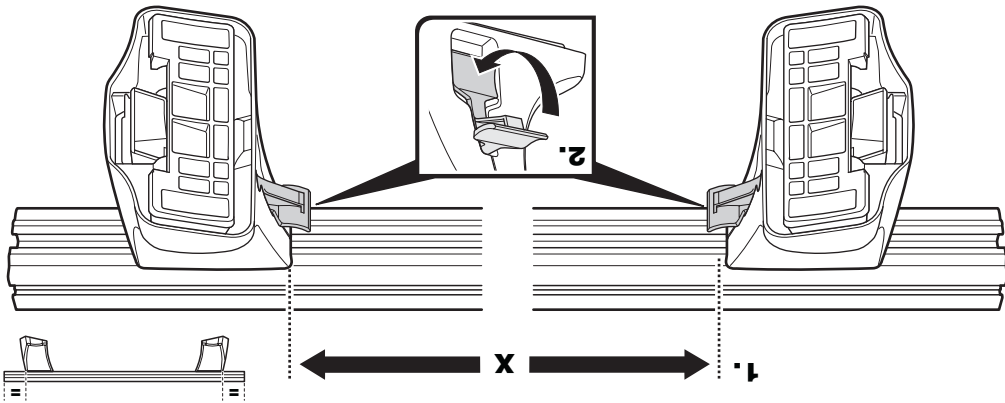
53,5 cm	HUYNDAI H-1, 5-dr Van, 08- (With dual sliding doors)
53,5 cm	HUYNDAI Load, 5-dr Van, 08- (With dual sliding doors), (Asia)
53,5 cm	HUYNDAI Max, 5-dr Bus, 08- (With dual sliding doors), (Asia)
53,5 cm	HUYNDAI Starex, 5-dr Van, 08- (With dual sliding doors)

Y

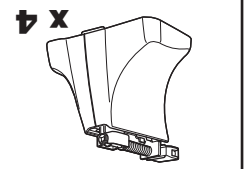
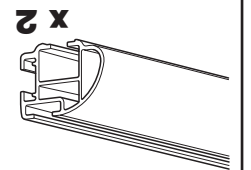
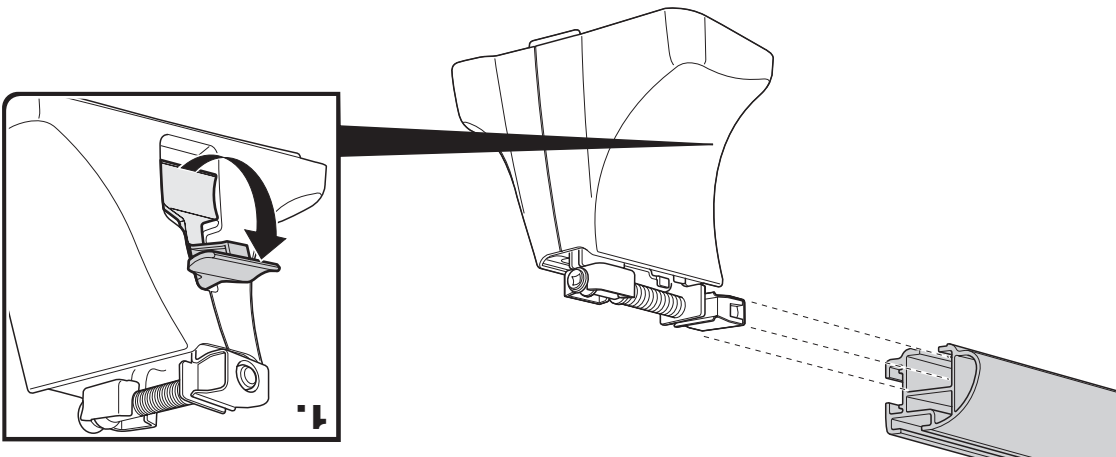


54,5 cm	HUYNDAI H-1, 5-dr Van, 08- (With dual sliding doors)
54,5 cm	HUYNDAI Load, 5-dr Van, 08- (With dual sliding doors), (Asia)
54,5 cm	HUYNDAI Max, 5-dr Bus, 08- (With dual sliding doors), (Asia)
54,5 cm	HUYNDAI Starex, 5-dr Van, 08- (With dual sliding doors)

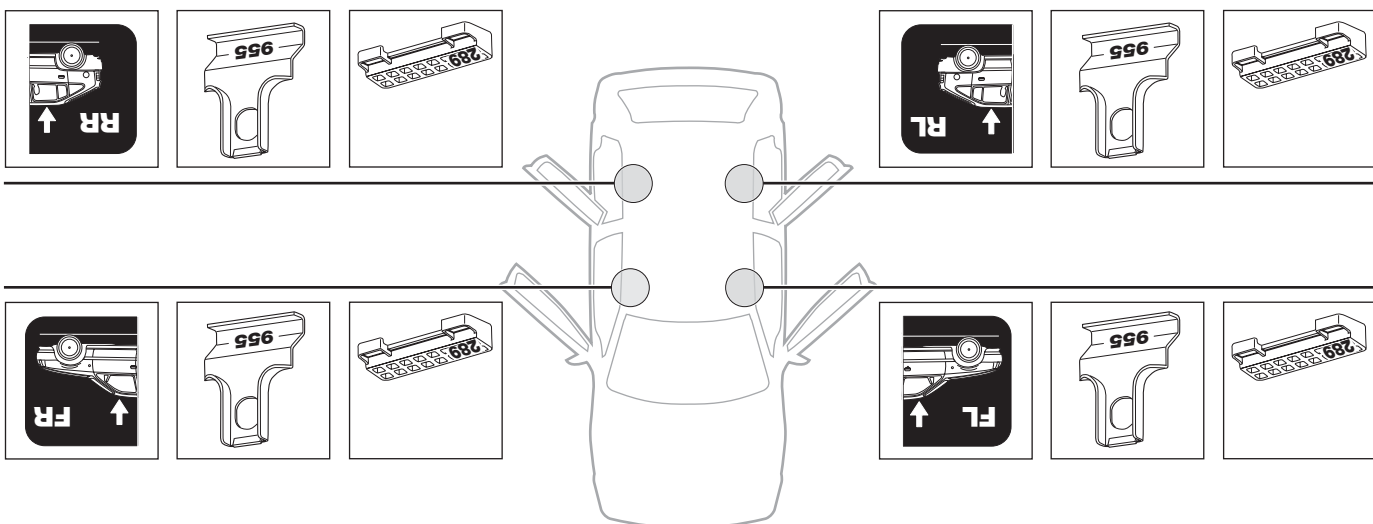
X



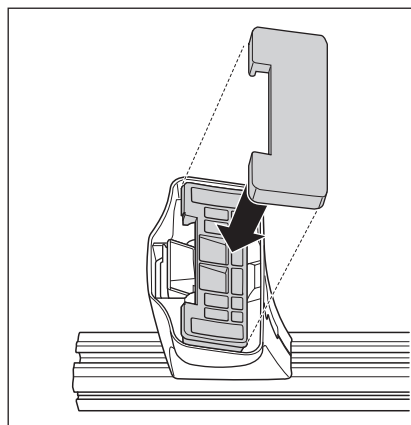
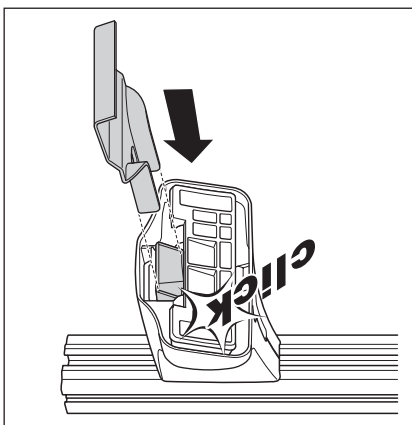
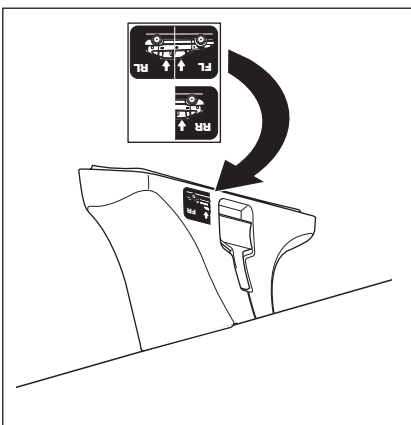
3



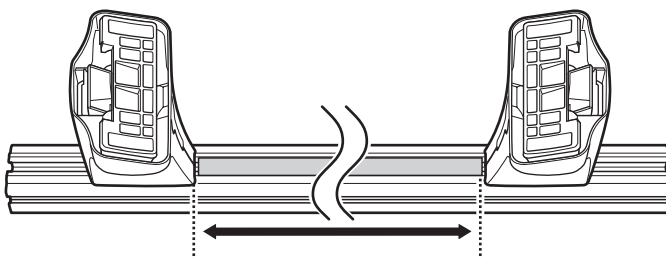
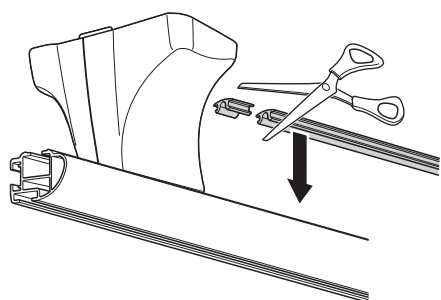
2



HYUNDAI H-1, 5-dr Van, 08 – (With dual sliding doors)
 HYUNDAI iLoad, 5-dr Van, 08 – (With dual sliding doors), (Asia)
 HYUNDAI iMax, 5-dr Bus, 08 – (With dual sliding doors), (Asia)
 HYUNDAI Starex, 5-dr Van, 08 – (With dual sliding doors)



5



x2
16mm

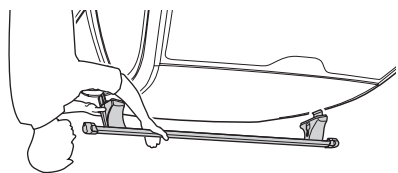
4

HYUNDAI H-1, 5-dr Van, 08 – (With dual sliding doors)

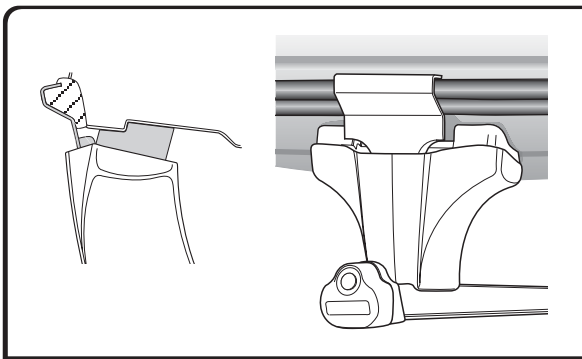
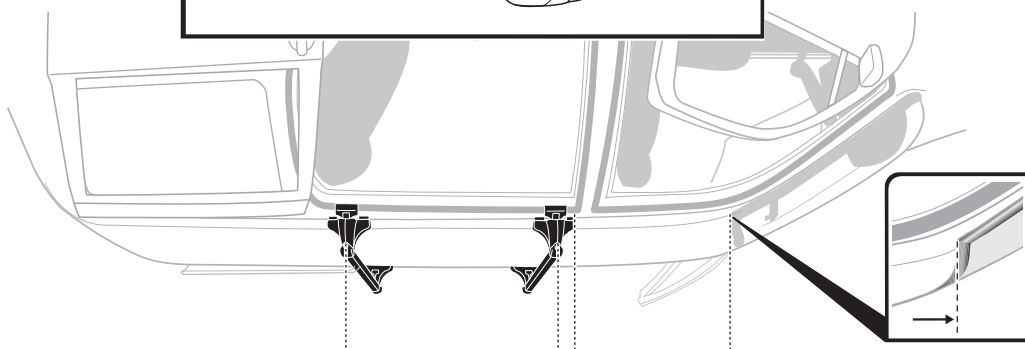
HYUNDAI Load, 5-dr Van, 08 – (With dual sliding doors), (Asia)

HYUNDAI Max, 5-dr Bus, 08 – (With dual sliding doors), (Asia)

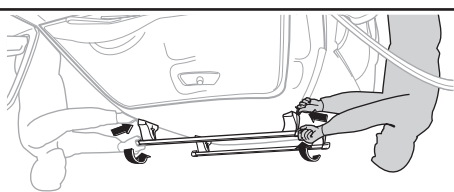
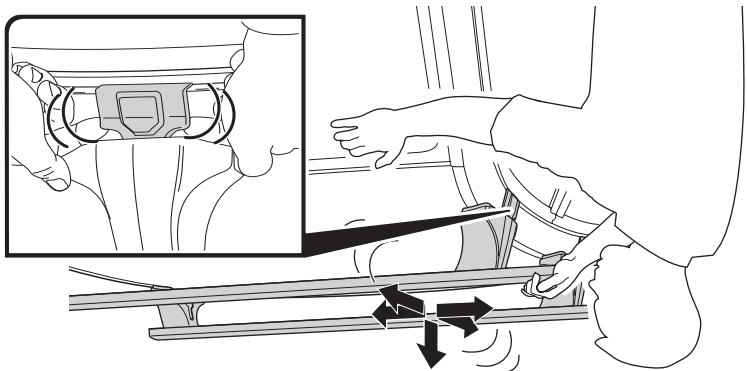
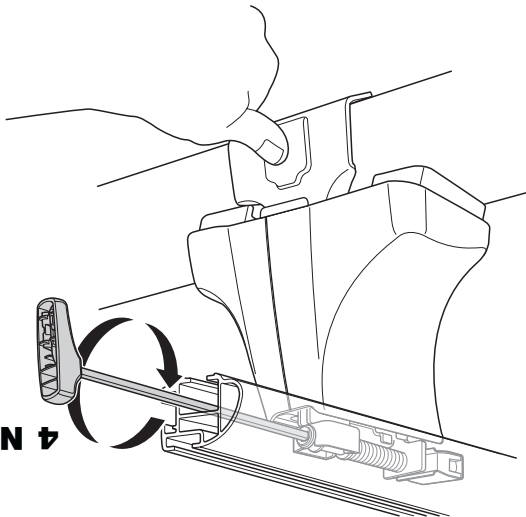
HYUNDAI Starex, 5-dr Van, 08 – (With dual sliding doors)



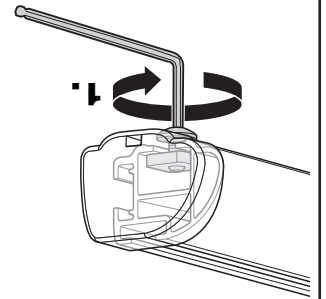
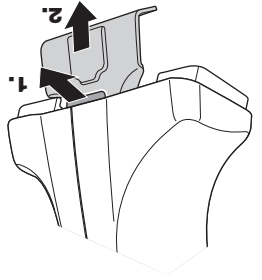
850 mm
700 mm



4 Nm



- GB Tighten alternately
- D Die Schrauben abwechselnd anziehen
- F Serrer alternativement chaque côté
- NL Aftwisselend aan de linker- en de rechterkant aandraaien
- I Serrare alternativamente
- E Alternare il serraggio delle viti
- PT Aperte alternadamente
- S Dra åt växelvis
- FIN Kierrä vuorotellen
- EST Pinguldage vaheldumisi
- LAT Pieļāciet pamišus
- LIT Užsukinkite pakaitomis
- PL Sruby dokręcaj naprzemiennie
- RU Затягивайте попеременно
- CZ Pokręta bagazníka dokręcaj dokřečaj
- naprzemiennie.
- SK Dotahujte striedavo
- SLO Privijajte izmenično.
- HR Naizmjenično zategnite
- HU Egymástól fűggetlenül szorítandó
- GR Σφιγγείτε εναλλάξ
- TR Dönüşümlü sıkın
- 中文 交替拧紧
- 한국어 변갈아 가며 조이십시오.
- 日本語 交互に締め付けてください。
- ไทย สลับขัน



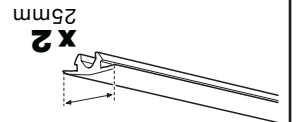
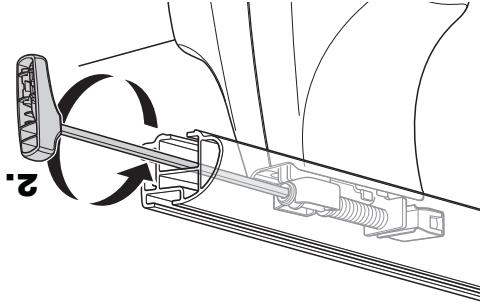
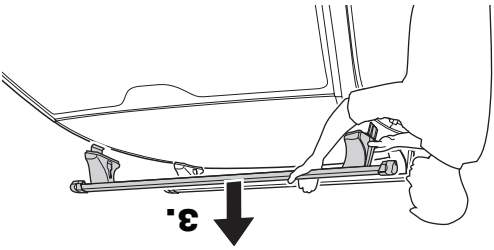
- GB** Removal
- D** Demontieren
- F** Démontage
- NL** Demontage
- I** Rimozione

- E** Desmontaje
- PT** Remoção
- S** Demontering
- FIN** Irrotus
- EST** Eemaldamine

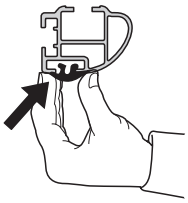
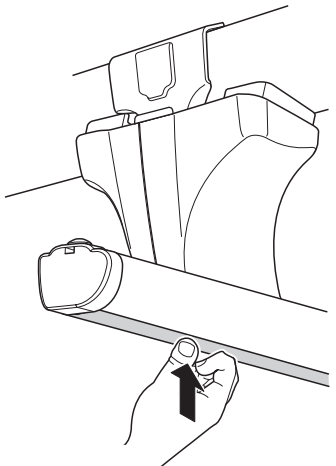
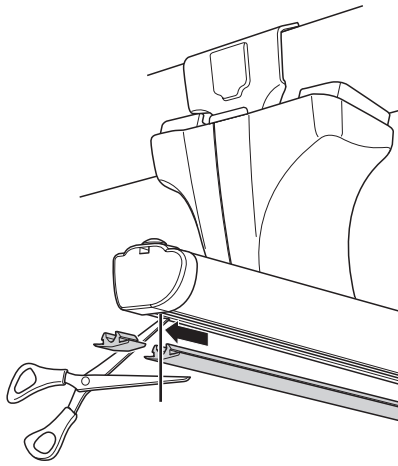
- LAT** Noņemsana
- LIT** Nuėmimas
- PL** Wymontowanie
- RU** Чнятие
- CZ** Odmontování

- SK** Demontáž
- SLO** Odstranjevanje
- HR** Uklanjanje
- HU** Leszerelés
- GR** Αφαίρεση

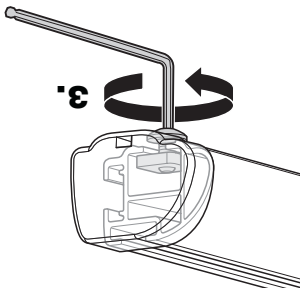
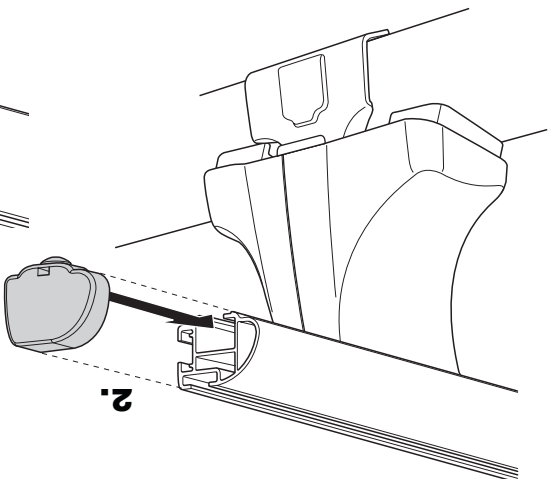
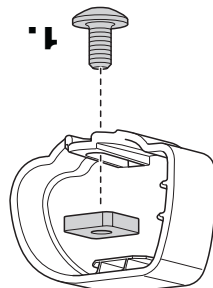
- TR** Sökme
- 中文** 拆除
- 日本語** 取り外し
- 한국어** 분리
- ไทย** ถอดออก



9



- X 1** 5mm
- X 4** [Screw]
- X 4** [Bracket]
- X 2** [Cover Part 1]
- X 2** [Cover Part 2]



8



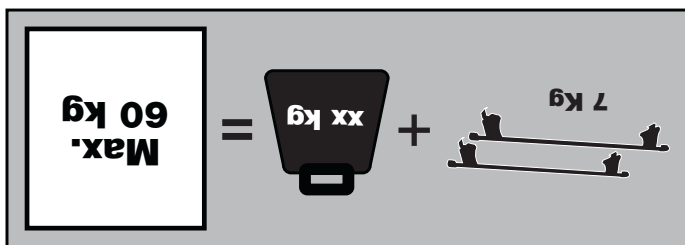
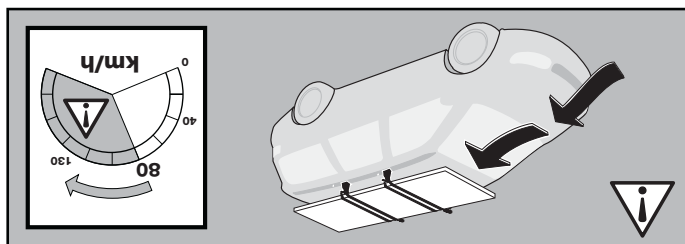
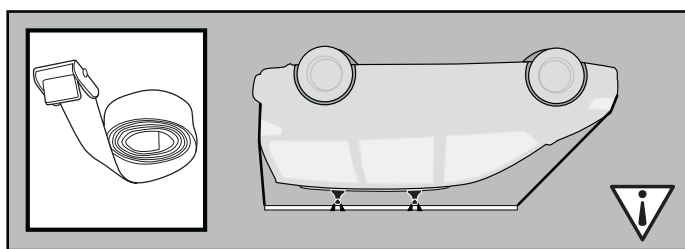
info@thule.com



www.thuleprofessional.com



Thule Sweden AB, Box 69, 330 33 Hillerstorp, SWEDEN



7 Kg + xx kg = **Max. 60 kg**

80 130
40 0
km/h

THULE 544
ONE 596
KEY
SYSTEM 588

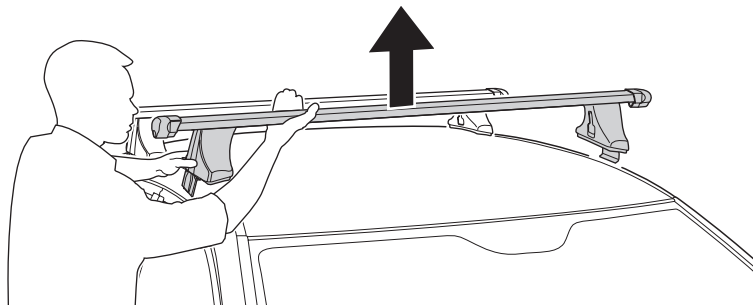
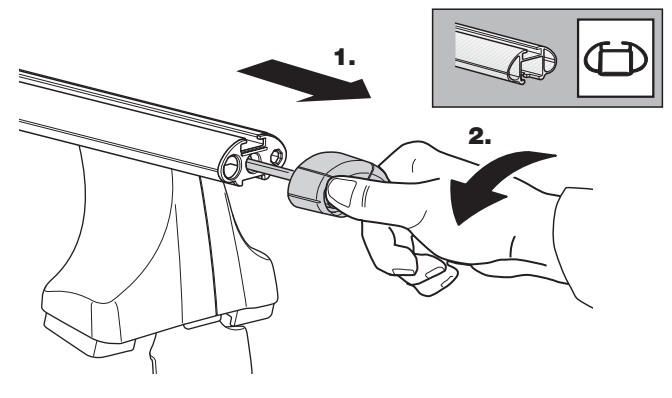
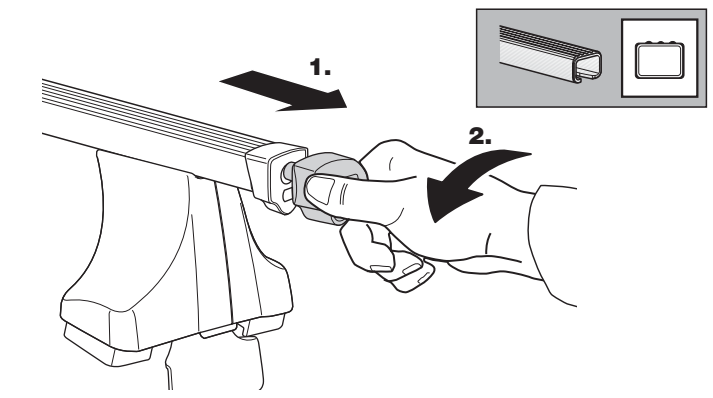
GB Removal
D Demontieren
F Démontage
NL Demontage
I Rimozione

E Desmontaje
PT Remoção
S Demontering
FIN Irrotus
EST Eemaldamine

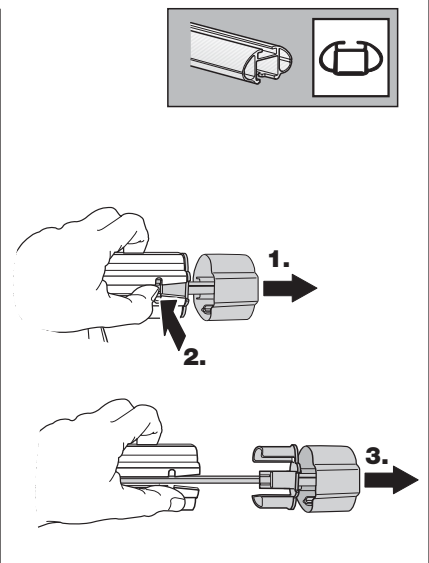
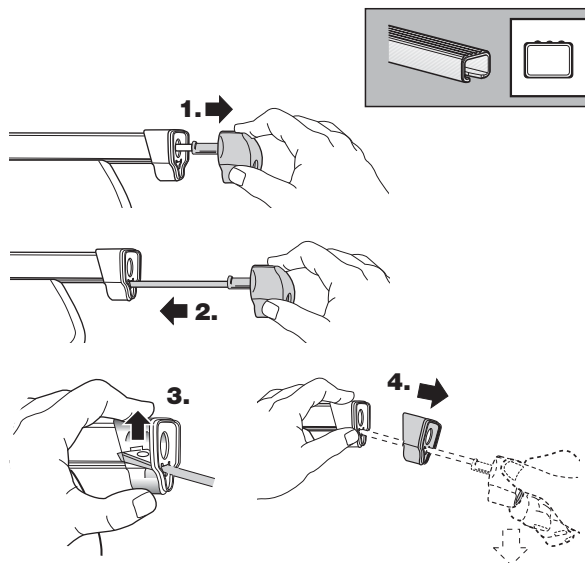
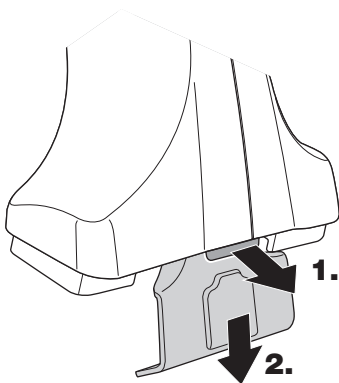
LAT Noņemšana
LIT Nuėmimas
PL Wymontowywanie
RU СНЯТИЕ
CZ Odmontování

SK Demontáž
SLO Odstranjevanje
HR Uklanjanje
HU Leszerelés
GR Αφαίρεση

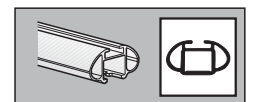
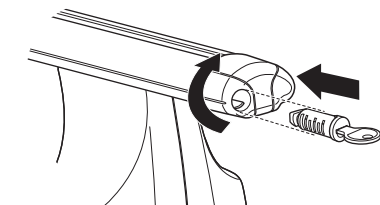
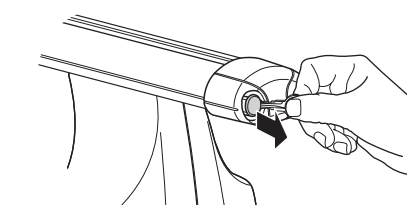
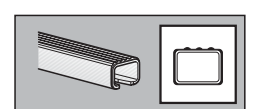
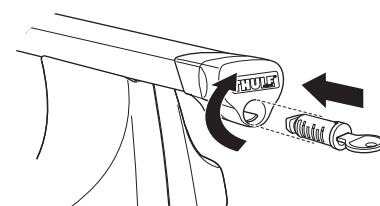
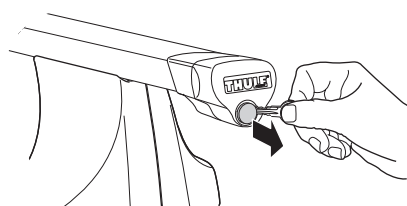
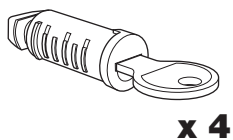
TR Sökme
 中文 拆除
 日本語 取り外し
 한국어 분리
 ไทย การถอด

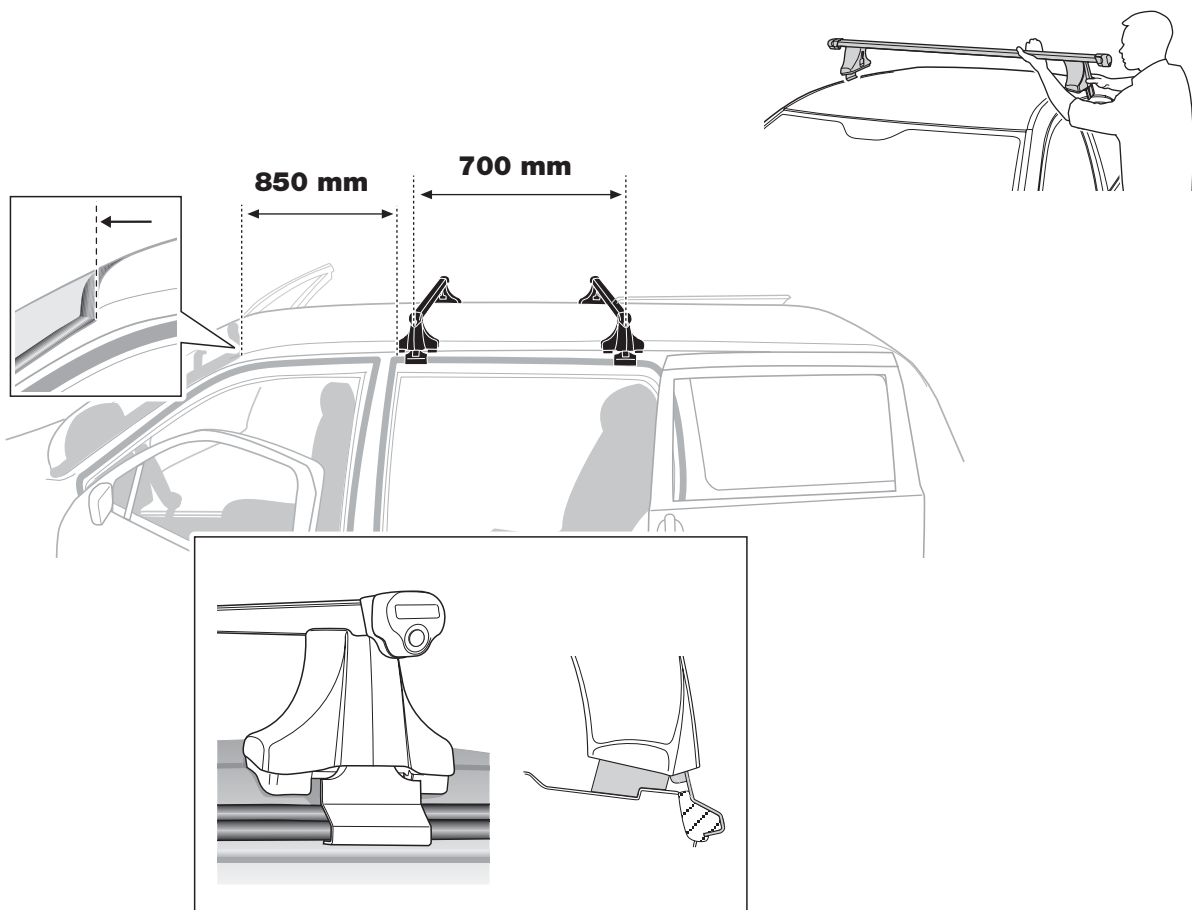


Fit Tips!



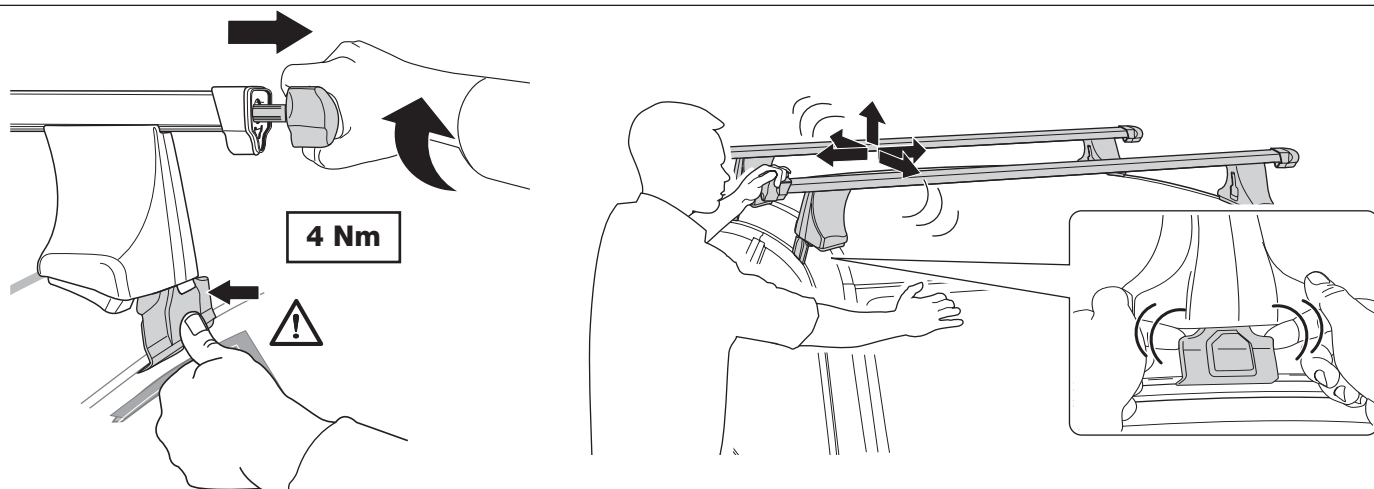
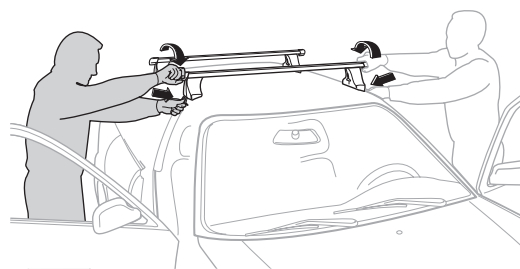
THULE
ONE
KEY
SYSTEM

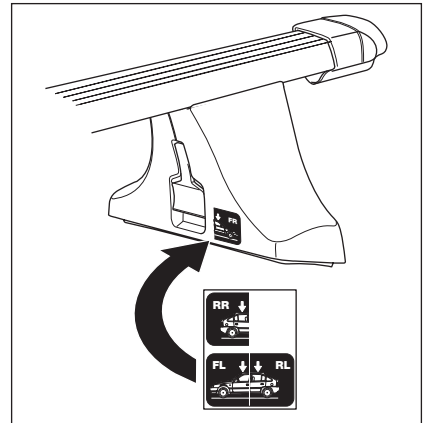
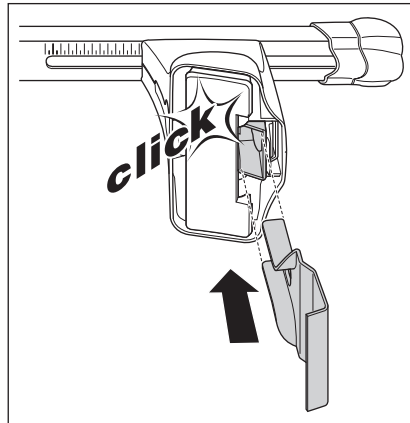
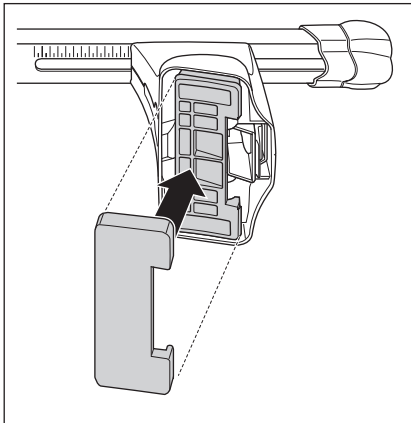


6**7**

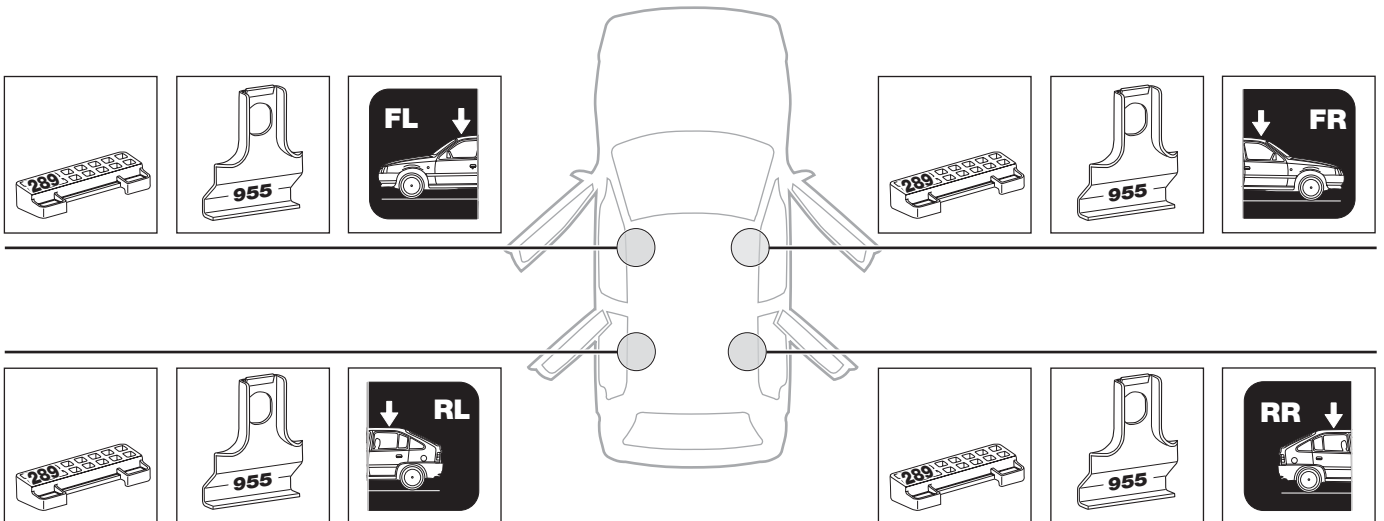
- GB** Tighten alternately
D Die Schrauben abwechselnd anziehen
F Serrer alternativement chaque côté
NL Afwisselend aan de linker- en de rechterkant aandraaien
I Serrare alternativamente
E Alternare il serraggio delle viti
PT Aperte alternadamente
S Dra åt växelvis
FIN Kierrä vuorotellen
EST Pinguldage vaheldumisi
LAT Pievelciet pamišus
LIT Užsukinėkite pakaitomis

- PL** Śruby dokręcaj naprzemiennie
RU Затягивайте попеременно
CZ Pokręťta багаžníka dokręcaj dokręcaj naprzemiennie.
SK Doťahujte striedavo
SLO Privijajte izmenično.
HR Naizmjenično zategnite
HU Egymástól függetlenül szorítandó
GR Σφίγγετε εναλλάξ
TR Dönüşümlü sıkın
中文 交替拧紧
한국어 번갈아 가며 조이십시오.
日本語 交互に締め付けてください。
ไทย ชันในแบบสลับ

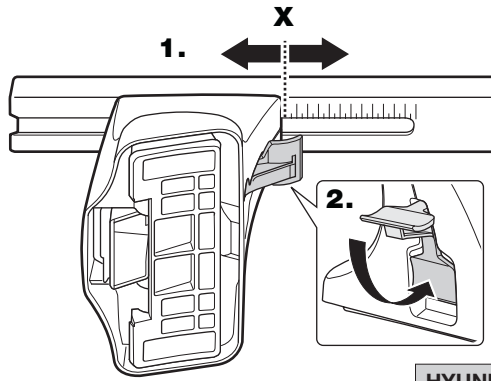
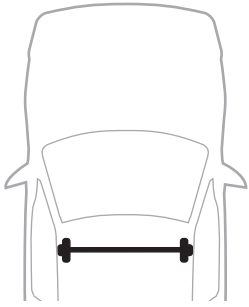




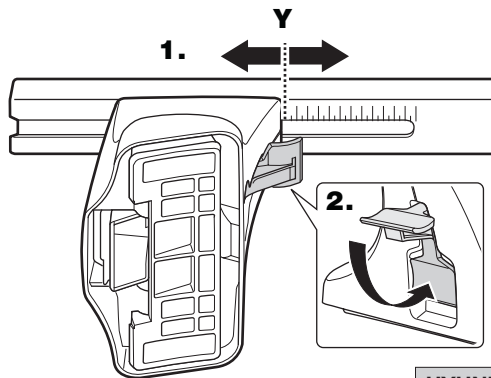
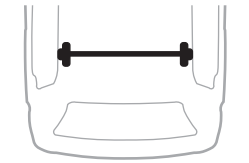
- HYUNDAI H-1**, 5-dr Van, 08 – (With dual sliding doors)
- HYUNDAI iLoad**, 5-dr Van, 08 – (With dual sliding doors), (Asia)
- HYUNDAI iMax**, 5-dr Bus, 08 – (With dual sliding doors), (Asia)
- HYUNDAI Starex**, 5-dr Van, 08 – (With dual sliding doors)



3

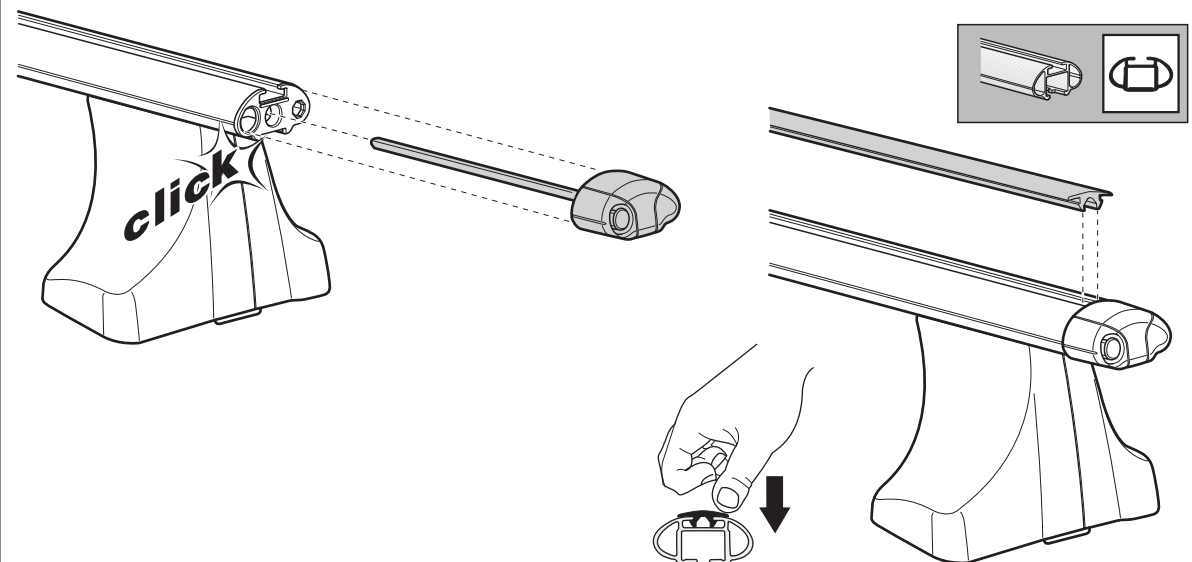
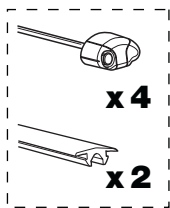
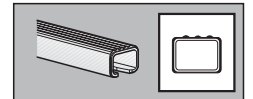
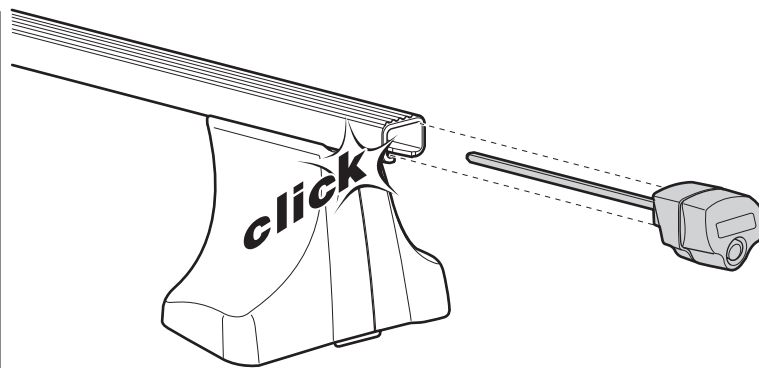
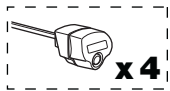


	X
HYUNDAI H1 , 5-dr Van, 08 – (With dual sliding doors)	54,5
HYUNDAI iLoad , 5-dr Van, 08 – (With dual sliding doors), (Asia)	54,5
HYUNDAI iMax , 5-dr Bus, 08 – (With dual sliding doors), (Asia)	54,5
HYUNDAI Starex , 5-dr Van, 08 – (With dual sliding doors)	54,5

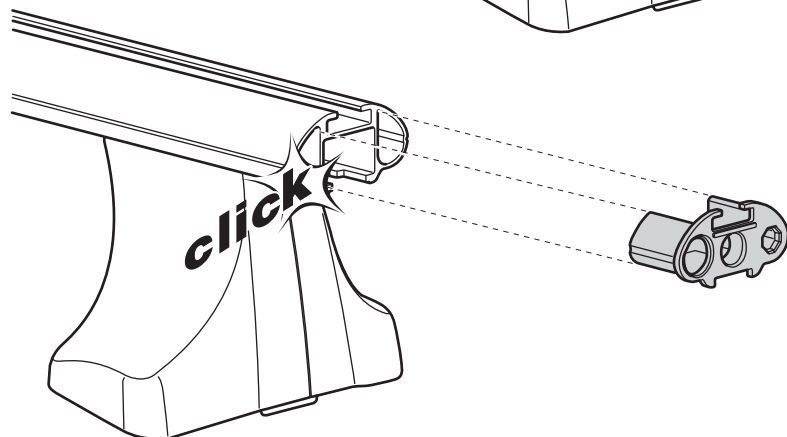
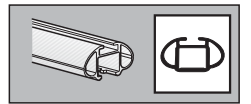
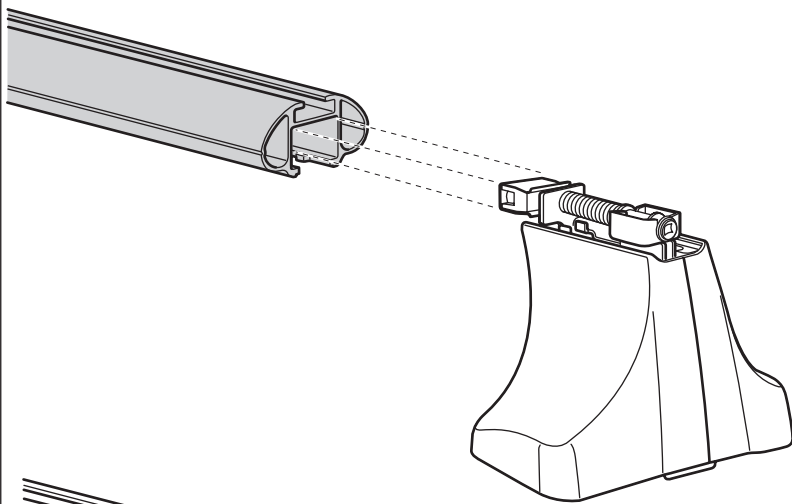
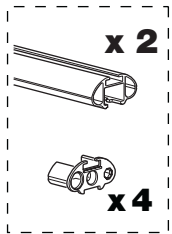
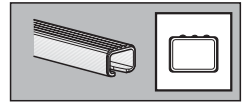
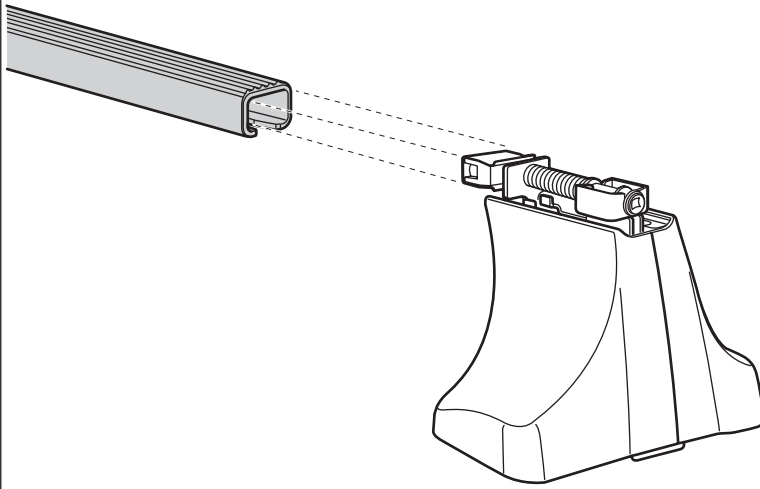
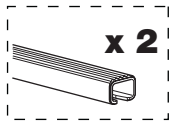
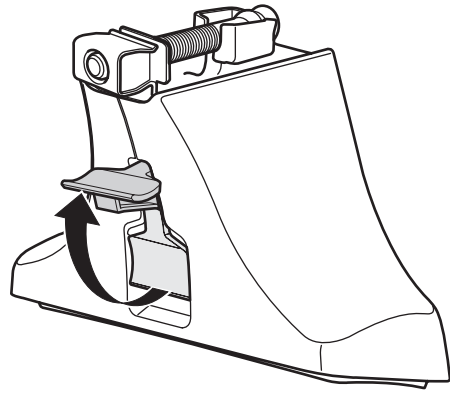
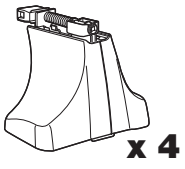


	Y
HYUNDAI H1 , 5-dr Van, 08 – (With dual sliding doors)	53,5
HYUNDAI iLoad , 5-dr Van, 08 – (With dual sliding doors), (Asia)	53,5
HYUNDAI iMax , 5-dr Bus, 08 – (With dual sliding doors), (Asia)	53,5
HYUNDAI Starex , 5-dr Van, 08 – (With dual sliding doors)	53,5

4



2



S Säkerhetsföreskrifter
GB Security regulations
D Sicherheits-Vorschriften
F Instructions obligatoires
NL Veiligheidsvoorschriften
FIN Turvatoimivälittelet
E Reglas de seguridad
I Norme di sicurezza
CZ Pokyny na montáž
PL Wykazy bezpieczeństwa
PT Normas de segurança
GR Αρχειοτυπία Απαιτήσεων
TR Güvenlik Kuralları
HU Biztonsági utasítások
RU Инструкция по безопасности
HR Pravila sigurnosti
EST Ohutusjuhised
LIT Saugumo taisyklės
LAT Drošības noteikumi
SLK Varnostni predpisi
KOR 안전 주의 사항
THAI ข้อควรระวังในการติดตั้ง
CHINESE 安全注意事项

