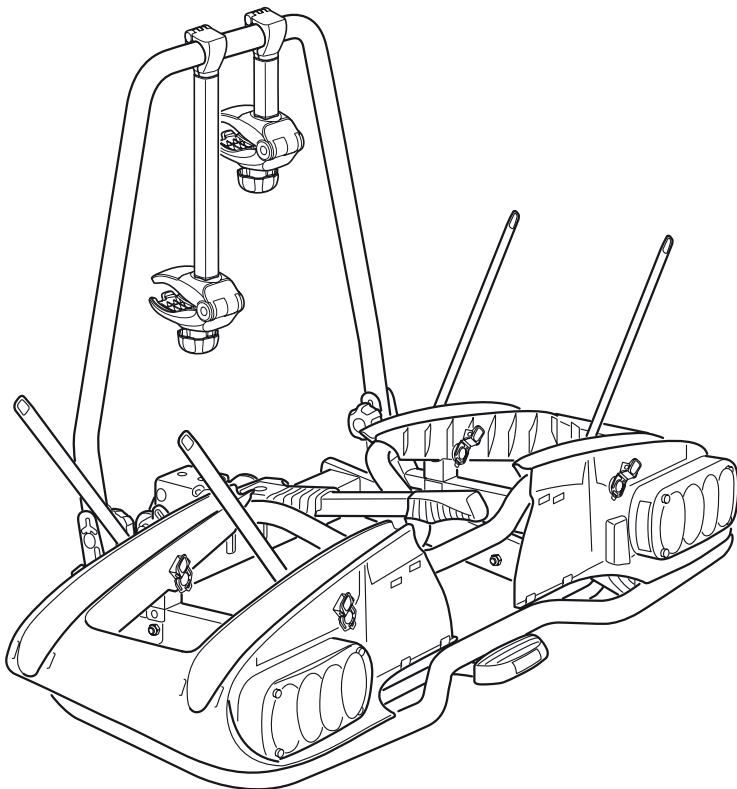


**RDW**

**EEC TYPE-APPROVAL CERTIFICATE**

e4\*79/488\*2007/158\*0090\*00





RDW

Vehicle Technology Division

THE NETHERLANDS  
(N E D E R L A N D)



EEC TYPE-APPROVAL CERTIFICATE FOR A SEPARATE TECHNICAL UNIT

(Article 9a of Council directive 70/156/EEC of 6 February 1970 on the approximation of the laws of the Member States relating to the type-approval of motor vehicles and their trailers.

Separate technical unit: type of luggage rack, ski rack, radio-receiving or transmitting aerial<sup>(1)</sup>.

EEC type-approval number for the separate technical unit : e4\*79/488\*2007/15\*0090\*00

- 1. Trade name or mark : Thule Sweden AB
- 2. Type : EP 915
- 3. Manufacturer's name and address : Thule Sweden AB  
P.O. Box 69  
SE-330 33 Hillerstorp
- 4. Name and address of manufacturer's authorized representative, if any : n/a
- 5. Characteristics of the separate technical unit : luggage rack, fitted on a tow bar
- 6. Limitations of use, if any, and assembly instructions : Annex 1 Conditions and advices, limitations of use  
Annex 2 Assembly Instructions
- 7. Specimen required for EEC type-approval of a separate technical unit submitted on : 2008-11-03
- 8. Technical service : TÜV Rheinland Kraftfahrt GmbH,  
D-Cologne
- 9. Date of test report issued by that service : 2009-01-12



P.O. Box 777  
2700 AT Zoetermeer  
The Netherlands


Tel. + 31 (0)79 345 81 43  
Fax + 31 (0)79 345 80 43  
www.rdw.nl

Vehicle Approval and Information

External-projections-component 74.483-2007.15 v5.00

Page 1 of 2

**Type-approval number: e4\*79/488\*2007/15\*0090\*00**

10. Number of test report issued by that service : 83NB0059-00
11. EEC type-approval for separate technical units has been granted/refused in respect of the luggage rack(s), ski rack(s), radio-receiving or transmitting aerial(s) <sup>(1)</sup>.
12. Place : Zoetermeer
13. Date : **28 JAN. 2009**
14. Signature : 
15. The following documents, bearing the abovementioned EEC type-approval number for a separate technical unit, are annexed to this certificate:  
- Annex 1 Conditions and advices, limitations of use; Sheet 1 to sheet 6  
- Annex 2 Assembly instructions; Sheet 1 to sheet 16  
- Annex 3 Technical documentation; Sheet 1 to sheet 4
16. Remarks:  
n/a

---

<sup>(1)</sup> Delete as appropriate.

**THULE**<sup>®</sup>  
SWEDEN

Box 69, 330 33 Hillerstorp, SWEDEN  
[www.thule.com](http://www.thule.com)

906•4DF/502-0058