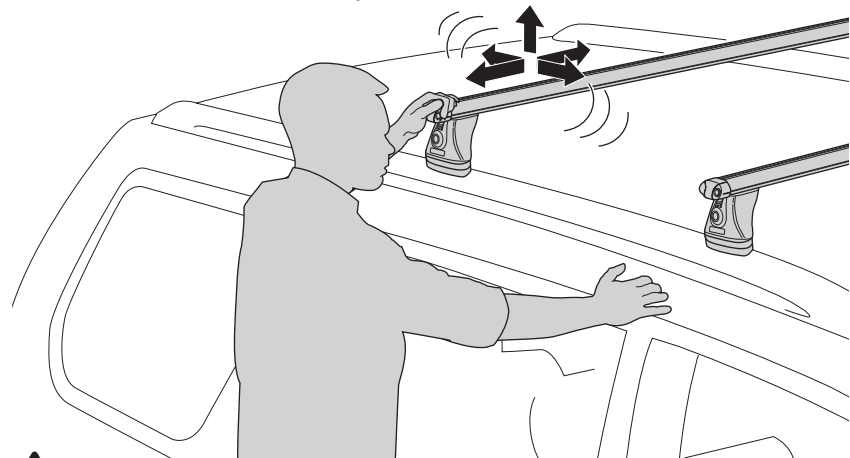
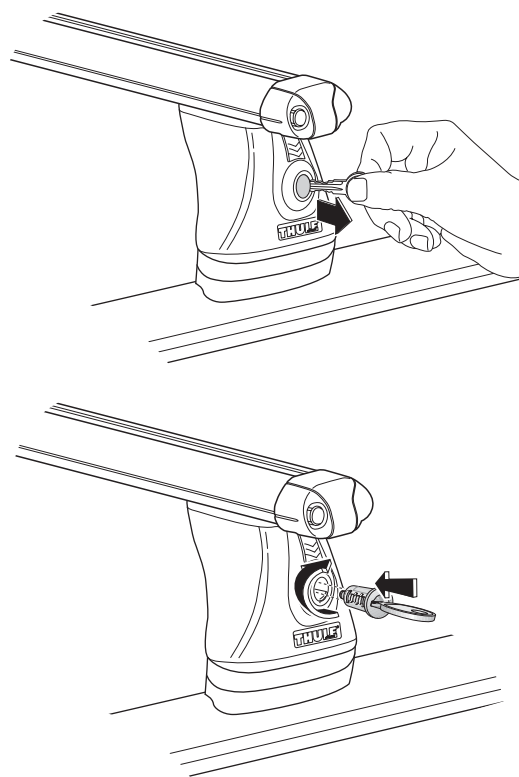


6 After completion, check carefully that roof bars are firmly attached.

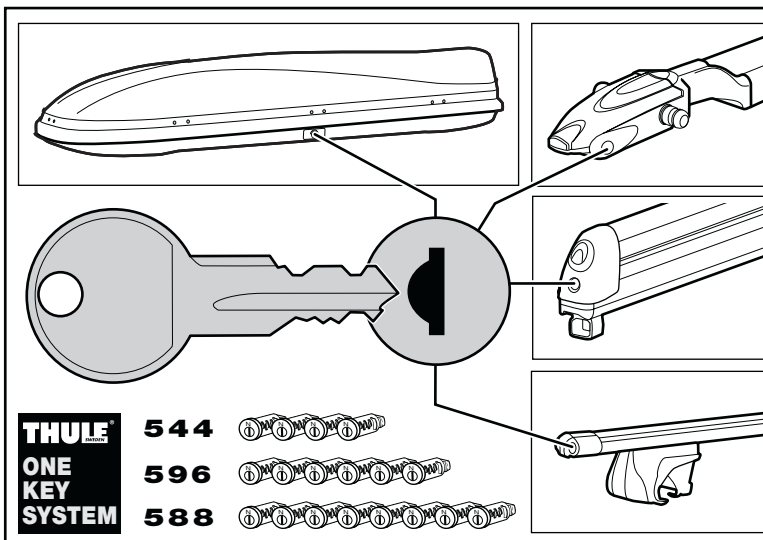
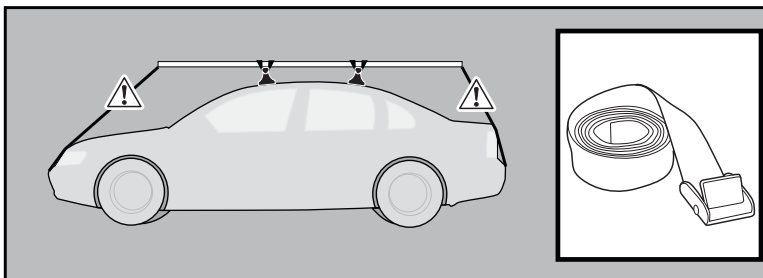
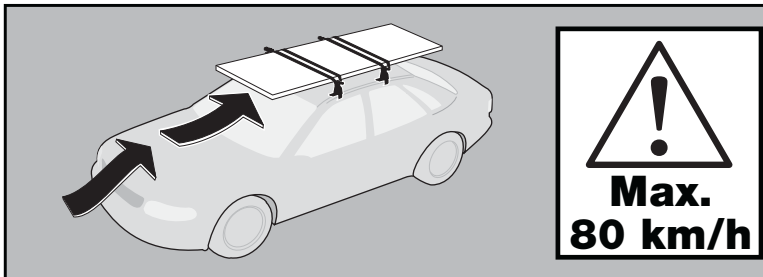
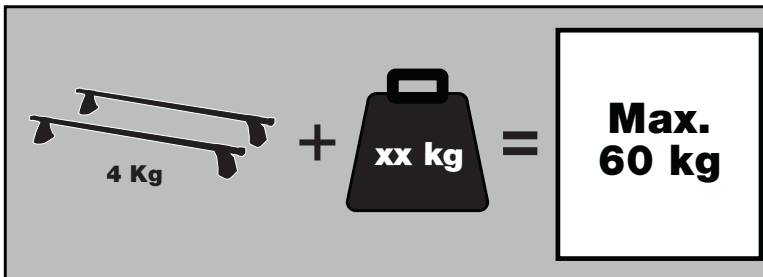
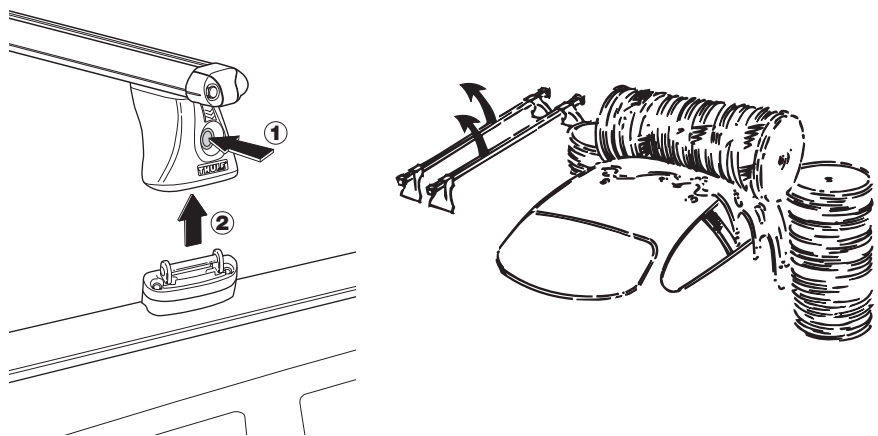


Important: Regularly check fastening bolts and retighten if required.

7 (Optional)



Fit Tips!



THULE[®]
SWEDEN

SUBARU Outback, Estate, 03-

- | | |
|---------------------------------------|-------------------------------------|
| GB Fitting instructions | SK Návod na montáž |
| D Montageanleitung | SLO Navodila za pritrjevanje |
| F Instructions de montage | HR Uputa za sastavljanje |
| NL Montage-instructies | HU A felszerelés módja |
| I Istruzioni per il montaggio | GR Οδηγίες συναρμολόγησης |
| E Instrucciones de montaje | TR Montaj talimatları |
| PT Instruções de Montagem | 中文 安装说明 |
| S Monteringsanvisning | 日本語 取扱(取付)説明書 |
| FIN Asennusohje | 한국어 장착 지침 |
| EST Paigaldusjuhend | ไทย คำแนะนำการติดตั้ง |
| LAT Stiprināšanas instrukcija | |
| LIT Pritvirtinimo instrukcijos | |
| PL Instrukcja montażu | |
| RU Инструкции по установке | |
| CZ Návod na montáž | |

RAPID TRACKER

4720
1258-1-4720

Follow me...

THULE[®]
SWEDEN

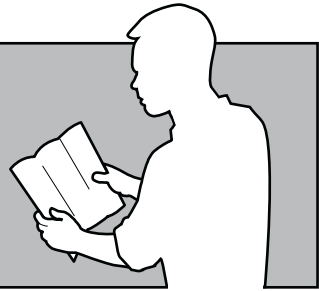
Box 69, 330 33 Hillerstorp, SWEDEN
www.thule.com

551*3DF2/501-6885-02B

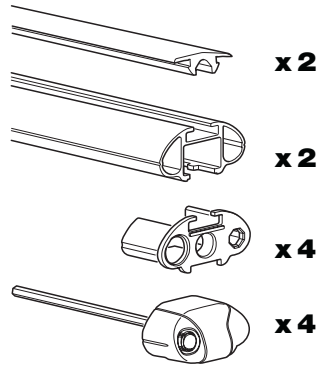
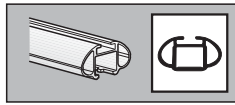


THULE

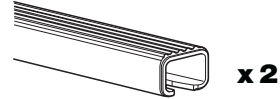
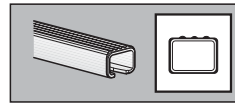
DE Security regulations
 D Sicherheits-Vorschriften
 F Instructions importantes
 NL Veiligheidsvoorschriften
 I Norme di sicurezza
 E Reglas de seguridad
 PT Normas de segurança
 S Säkerhetsföreskrifter
 FIN Turvallisuusohjeet
 EST Ohjeidusjuhised
 LAT Drošības noteikumi
 LTJ Saugumo sąlygos
 PL Wytyczne dotyczące bezpieczeństwa
 RU Инструкции по безопасности
 CZ Návod na montáž
 SK Bezpečnostné predpisy
 SLO Varnostni predpisi
 HR Pravila sigurnosti
 HU Biztonsági előírások
 QP Kuvonopási Anghajtszabályok
 TR Güvenlik kuralları
 中文 安全规范
 日本語 安全規範
 泰语 安全规范



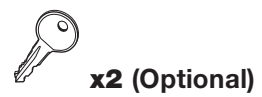
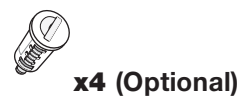
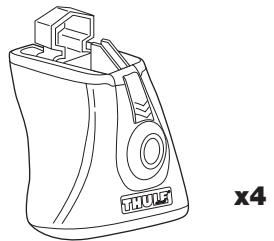
860



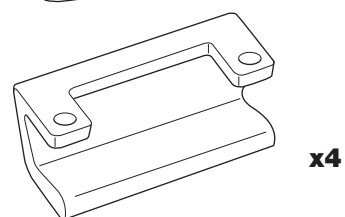
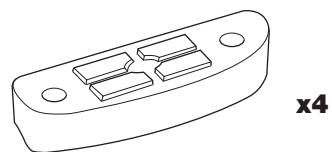
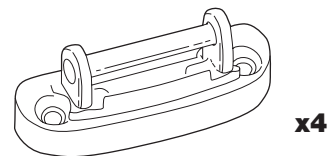
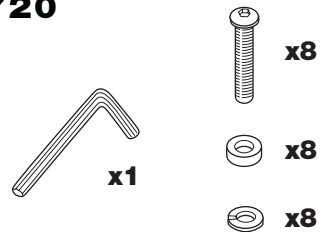
760



4700

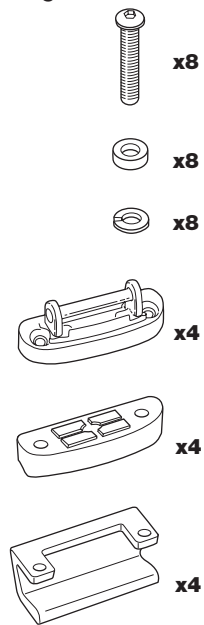


4720

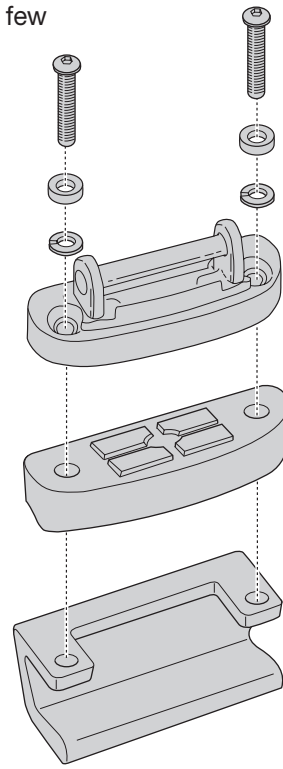


1

Assemble the parts shown below before fitting to vehicle rails.

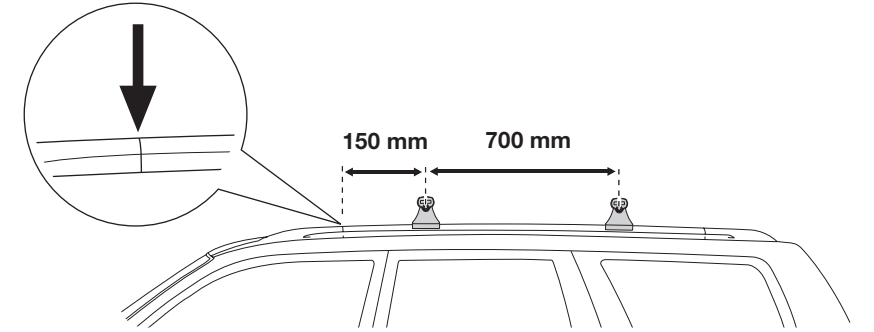


Tighten the bolts a few turns.



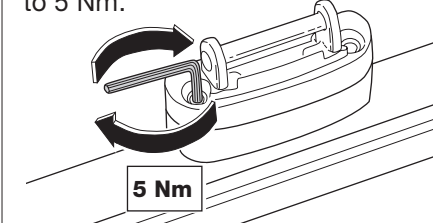
Locate the 4 assembled brackets to rails.

2

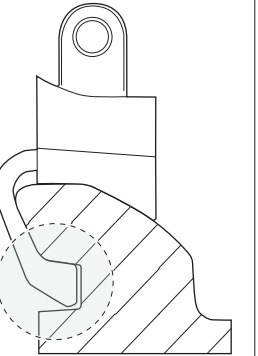


IMPORTANT

It is essential that the brackets are firmly attached to the roof rail and that the bolts are tightened to 5 Nm.

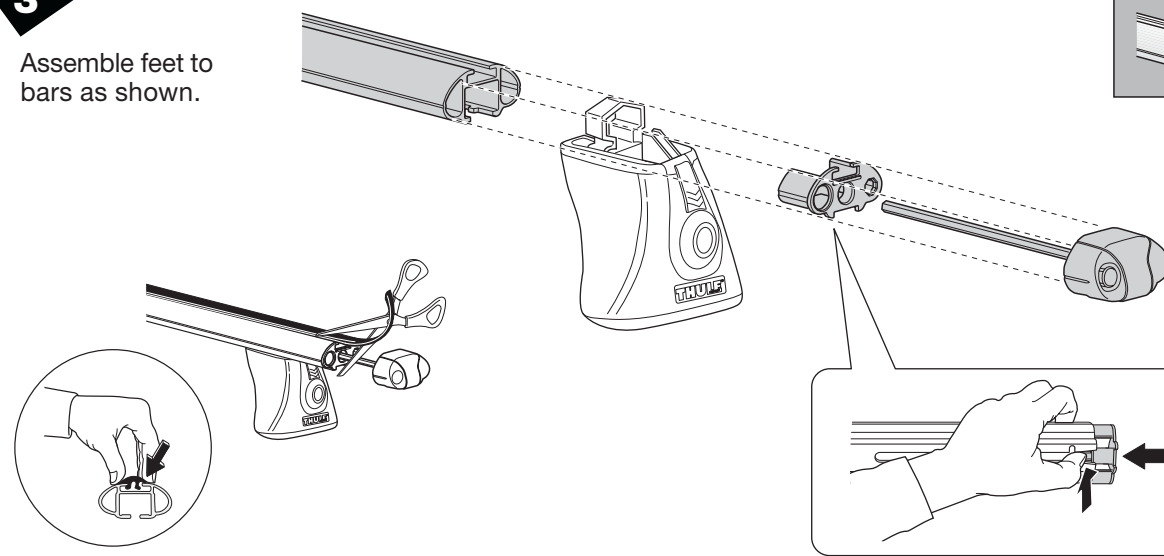


Confirm that the hook is properly located as shown. After the bolts are tightened to the correct torque, check that the bracket is securely fastened to the roof rail by pushing the bracket by hand in all directions.



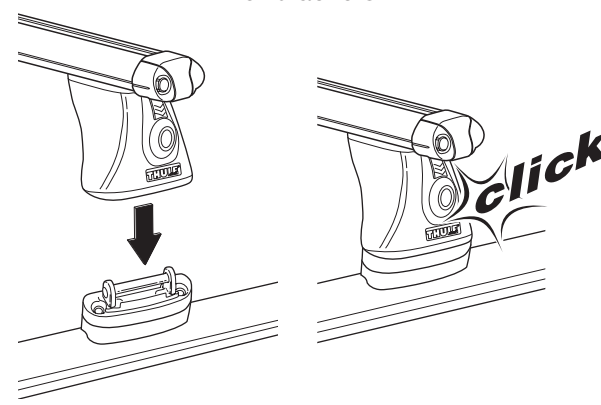
3

Assemble feet to bars as shown.



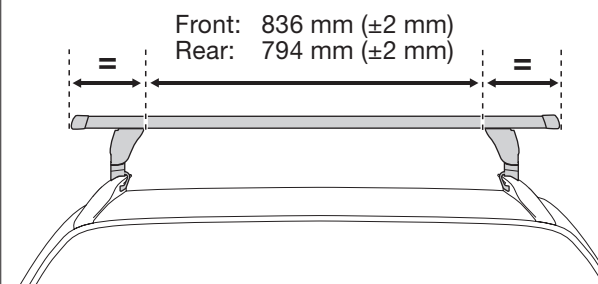
4

Place feet on top of brackets.



5

Front: 836 mm (±2 mm)
Rear: 794 mm (±2 mm)



IMPORTANT

Secure feet very firmly onto the cross bars by tightening the screw with the supplied allen key to 2.5 Nm. The screw is located behind the lock tab and will be revealed by pushing it down, see diagram point 2.

