

7 **IMPORTANT**
Secure feet very firmly onto the cross bars by tightening the screw with the supplied allen key to 2.5 Nm. The screw is located behind the lock tab and will be revealed by pushing it down, see diagram point 2.

2,5 Nm

8 After completion, check carefully that roof bars are firmly attached.

Important: Regularly check fastening bolts and retighten if required.

9
(Optional)

x4
x2

Fit Tips!

4 Kg + xx kg = **Max. 64 kg**

Max. 80 km/h

THULE ONE KEY SYSTEM

544
596
588

THULE[®]
SWEDEN

SUBARU
Legacy, Estate, 03-
Liberty, Estate, 03-

GB	Fitting instructions	SK	Návod na montáž
D	Montageanleitung	SLO	Navodila za pritrjevanje
F	Instructions de montage	HR	Uputa za sastavljanje
NL	Montage-instructies	HU	A felszerelés módja
I	Istruzioni per il montaggio	GR	Οδηγίες συναρμολόγησης
E	Instrucciones de montaje	TR	Montaj talimatları
PT	Instruções de Montagem	中文	安裝說明
S	Monteringsanvisning	日本語	取扱(取付)説明書
FIN	Asennusohje	한국어	장착 지침
EST	Paigaldusjuhend	ไทย	คำแนะนำการติดตั้ง
LAT	Stiprināšanas instrukcija		
LIT	Pritvirtinimo instrukcijos		
PL	Instrukcja montażu		
RU	Инструкции по установке		
CZ	Návod na montáž		

RAPID TRACKER

4719
1258-1-4719

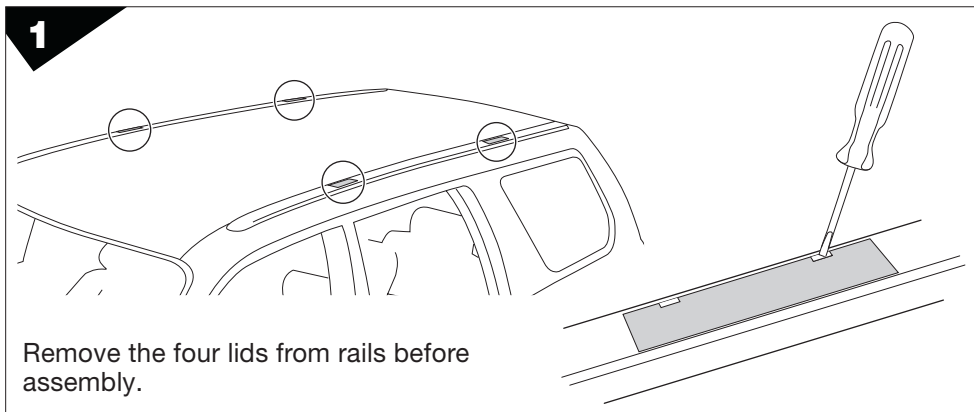
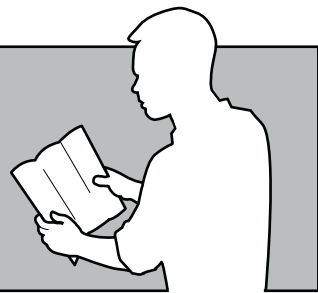
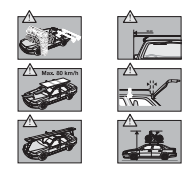
Follow me...

THULE[®]
SWEDEN
Box 69, 330 33 Hillerstorp, SWEDEN
www.thule.com

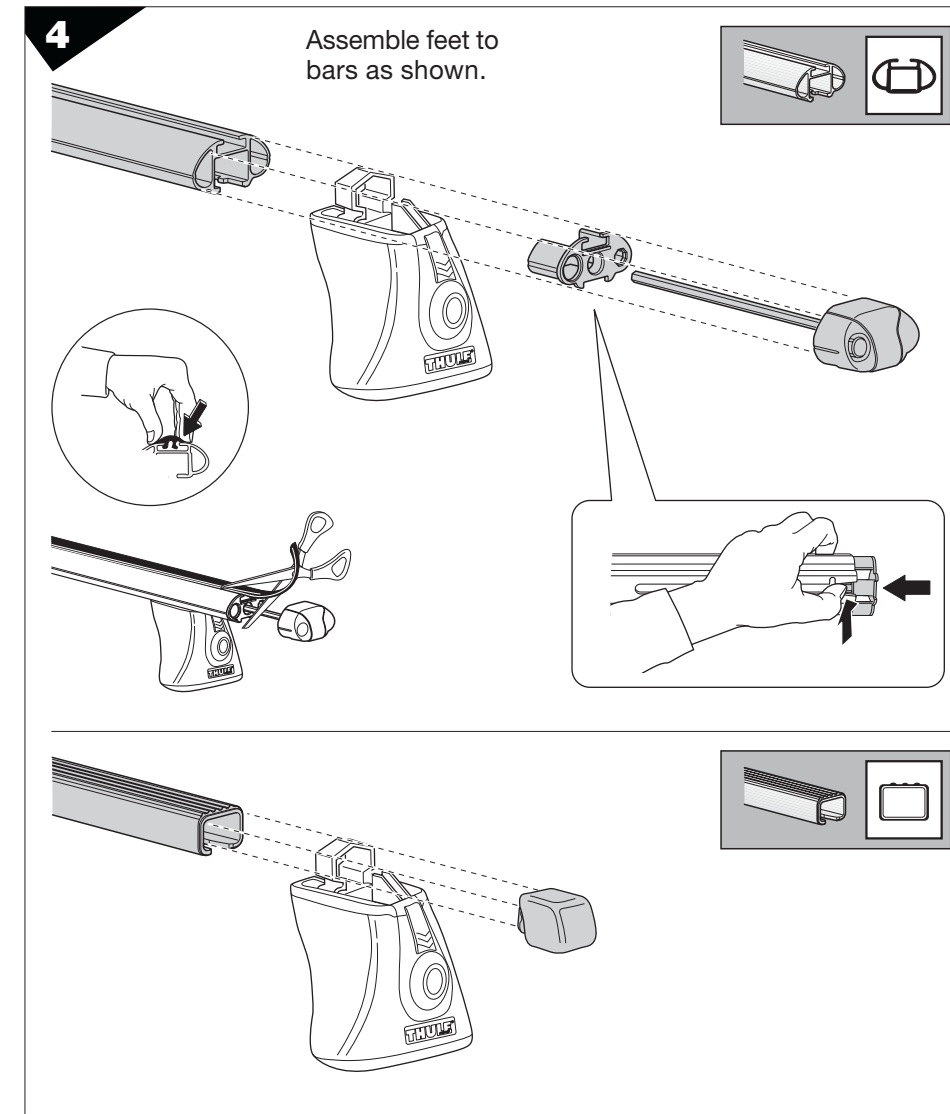
551*3DF2/501-6886-02B



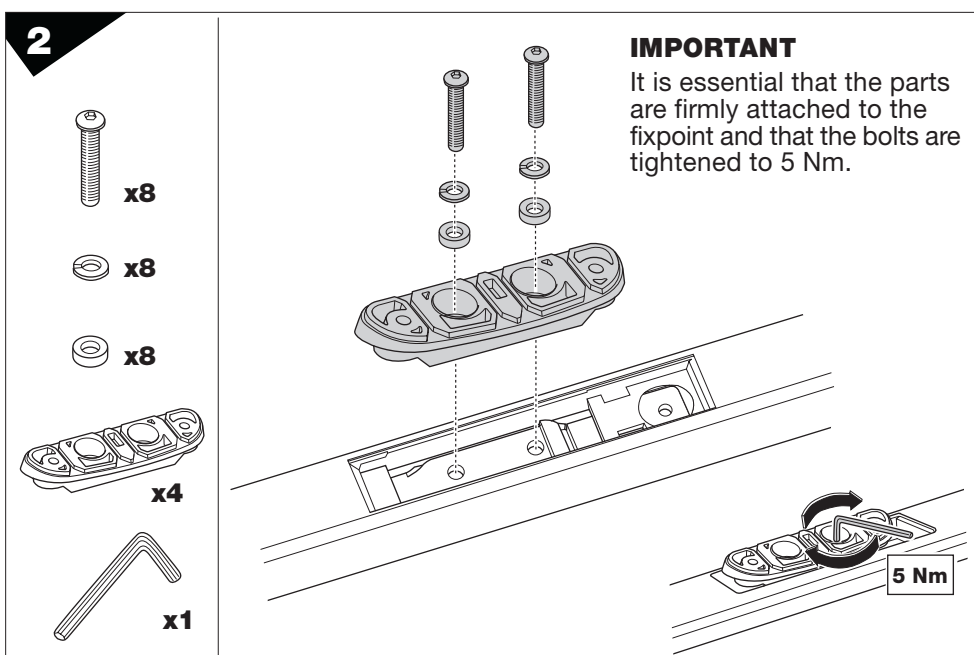
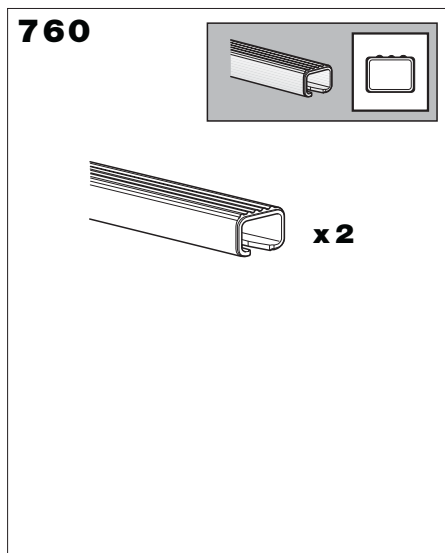
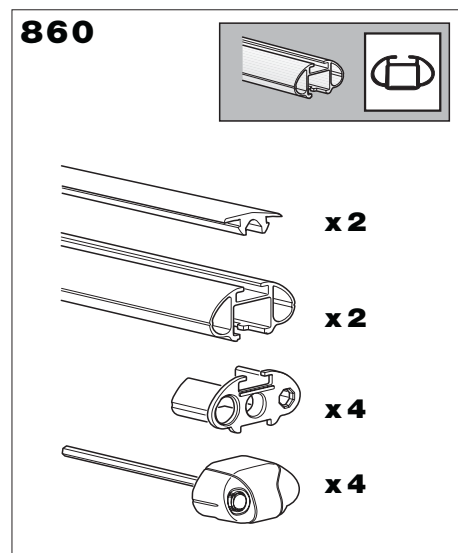
THULE
 GB Security regulations
 D Sicherheits-Vorschriften
 F Instructions importantes
 NL Veiligheidsvoorschriften
 I Norme di sicurezza
 E Regles de sécurité
 PT Normas de segurança
 S Säkerhetsföreskrifter
 FIN Turvallisuusohjeet
 EST Ohutusjuhised
 LAT Drošības noteikumi
 LIT Saugumo taisyklės
 PL Wytyki bezpieczeństwa
 RU Инструкция по безопасности
 CZ Návod na montáž
 SK Bezpečnostné predpisy
 SLO Varnostni predpisi
 HR Pravila sigurnosti
 HU Biztonsági előírások
 GR Κανονισμοί Ασφαλείας
 TR Güvenlik kuralları
 Türkçe Güvenlik Kuralları
 安全指示
 安全指示
 安全指示
 安全指示



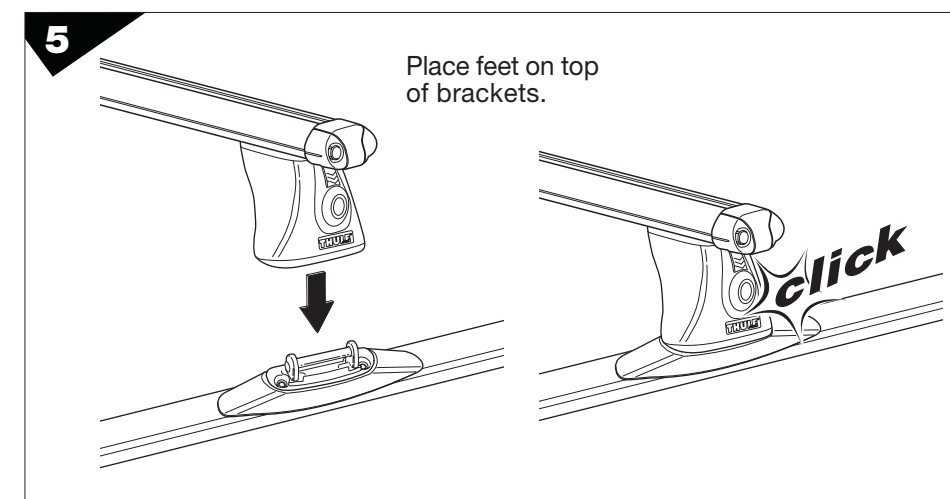
1
 Remove the four lids from rails before assembly.



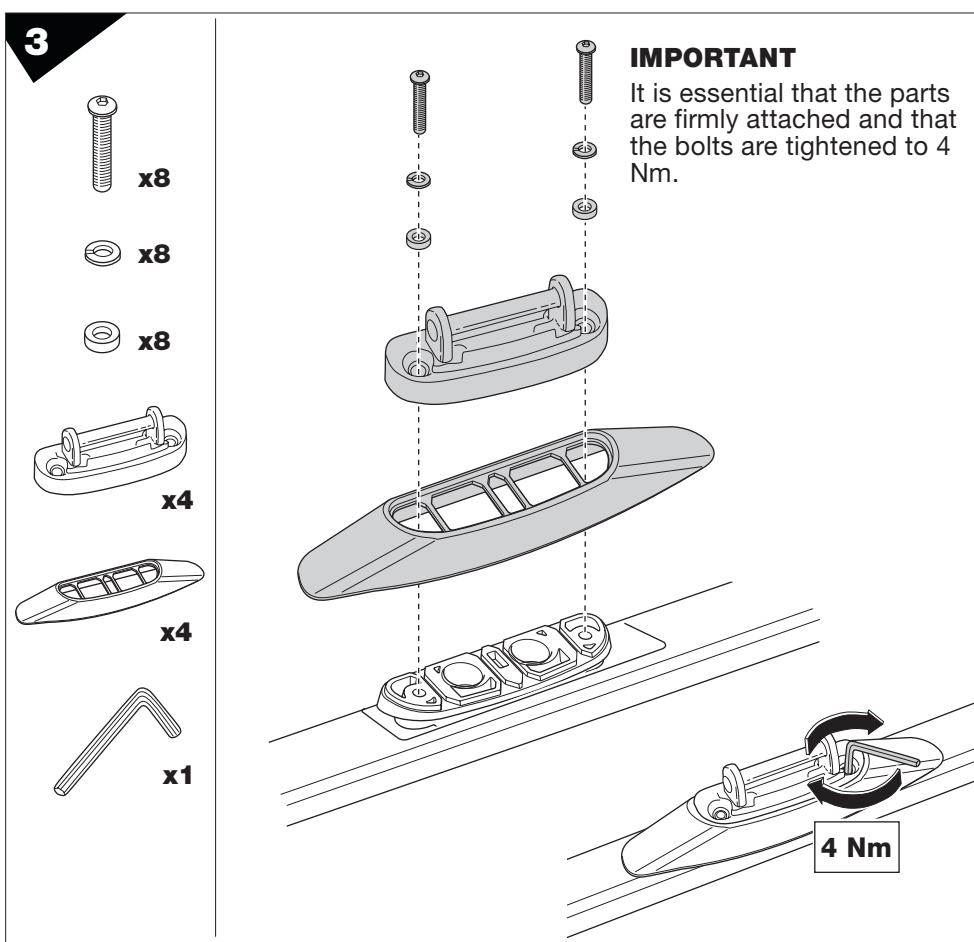
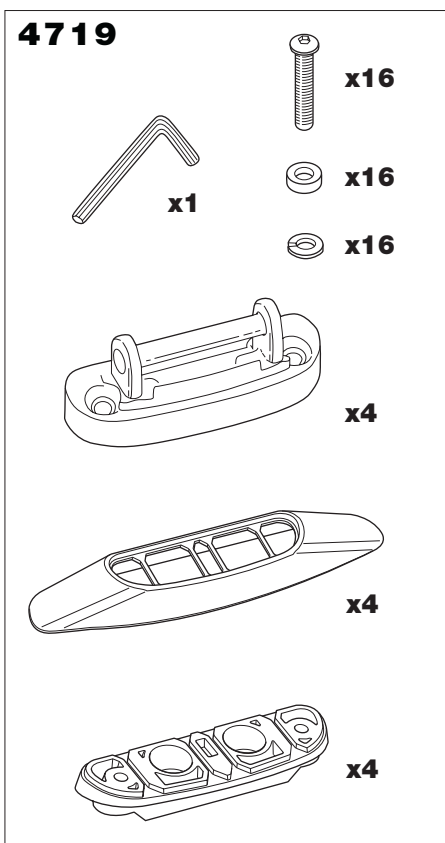
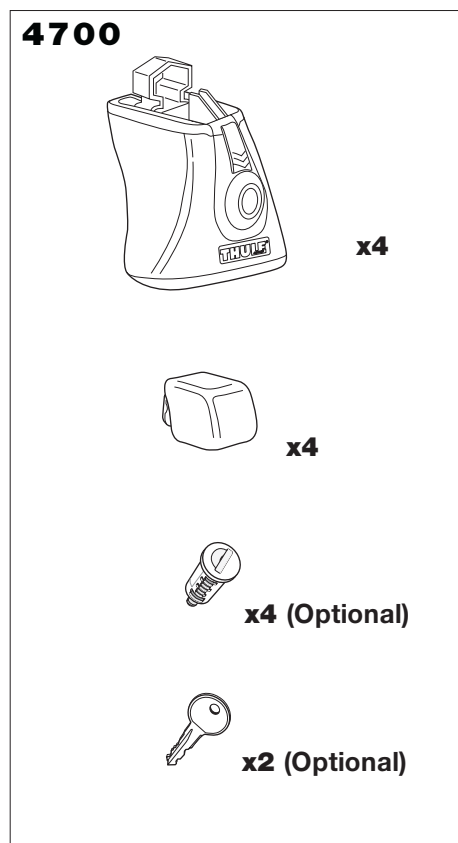
4
 Assemble feet to bars as shown.



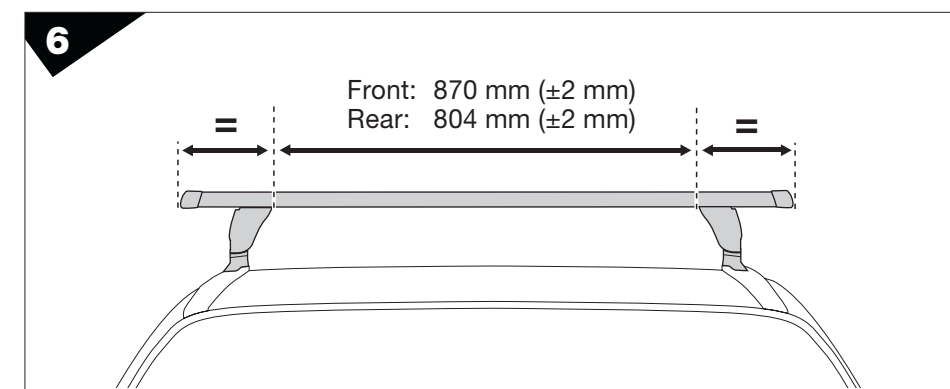
2
IMPORTANT
 It is essential that the parts are firmly attached to the fixpoint and that the bolts are tightened to 5 Nm.



5
 Place feet on top of brackets.



3
IMPORTANT
 It is essential that the parts are firmly attached and that the bolts are tightened to 4 Nm.



6
 Front: 870 mm (±2 mm)
 Rear: 804 mm (±2 mm)