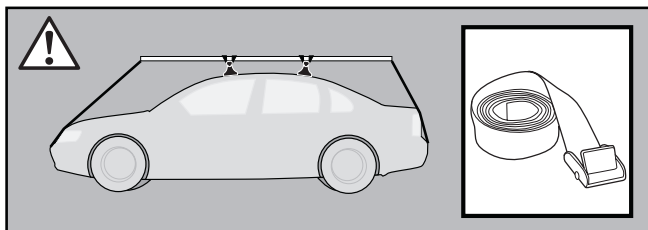
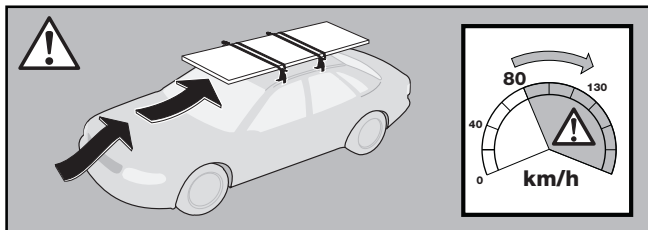
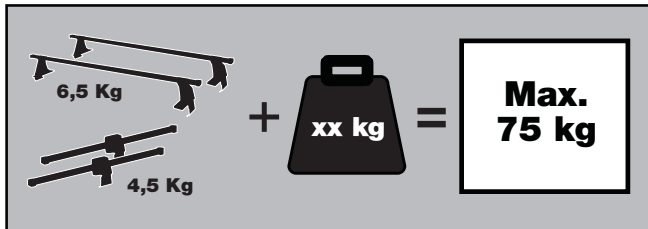
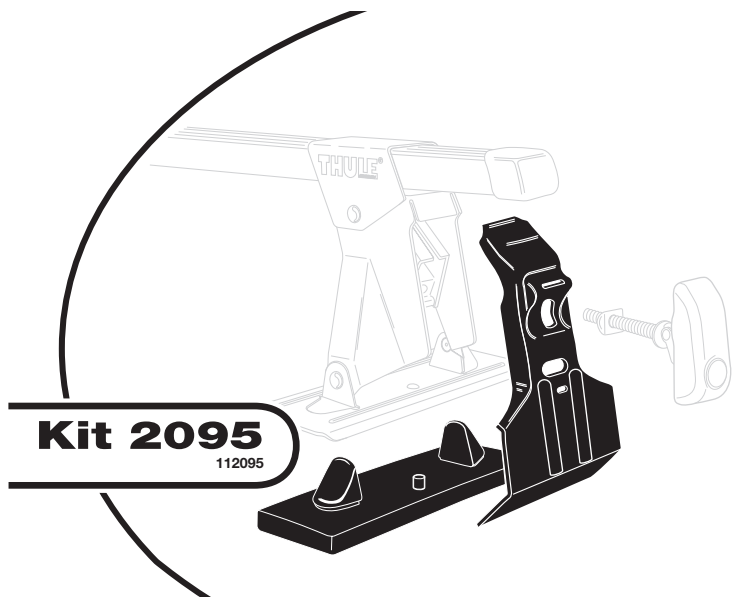


# THULE® SWEDEN

- GB** Fitting instructions
- D** Montageanleitung
- F** Instructions de montage
- NL** Montage-instructies
- I** Istruzioni per il montaggio
- E** Instrucciones de montaje
- PT** Instruções de Montagem
- S** Monteringsanvisning
- FIN** Asennusohje
- EST** Paigaldusjuhend
- LAT** Stiprināšanas instrukcija
- LIT** Pritvirtinimo instrukcijos
- PL** Instrukcja montażu
- RU** Инструкции по установке
- CZ** Návod na montáž
- SK** Návod na montáž
- SLO** Navodila za pritrjevanje
- HR** Uputa za sastavljanje
- HU** A felszerelés módja
- GR** Οδηγίες συναρμολόγησης
- TR** Montaj talimatları
- 中文** 安装说明
- 日本語** 取扱(取付)説明書
- 한국어** 장착 지침
- ไทย** คำแนะนำการติดตั้ง



- CITROËN Jumper, 2-dr Chassi, 95-06**
- CITROËN Jumper, 4-dr Chassi, 95-06**
- FIAT Ducato, 2-dr Chassi, 95-06**
- FIAT Ducato, 4-dr Chassi, 95-06**
- MERCEDES Sprinter, 2-dr Chassi, 95-99, 00-06**
- MERCEDES Sprinter, 3-dr Double Cab, 95-99, 00-06**
- OPEL Movano (L3H1), 4-dr Double Cab, 01-**
- PEUGEOT Boxer, 2-dr Chassi, 95-06**
- PEUGEOT Boxer, 4-dr Chassi, 95-06**

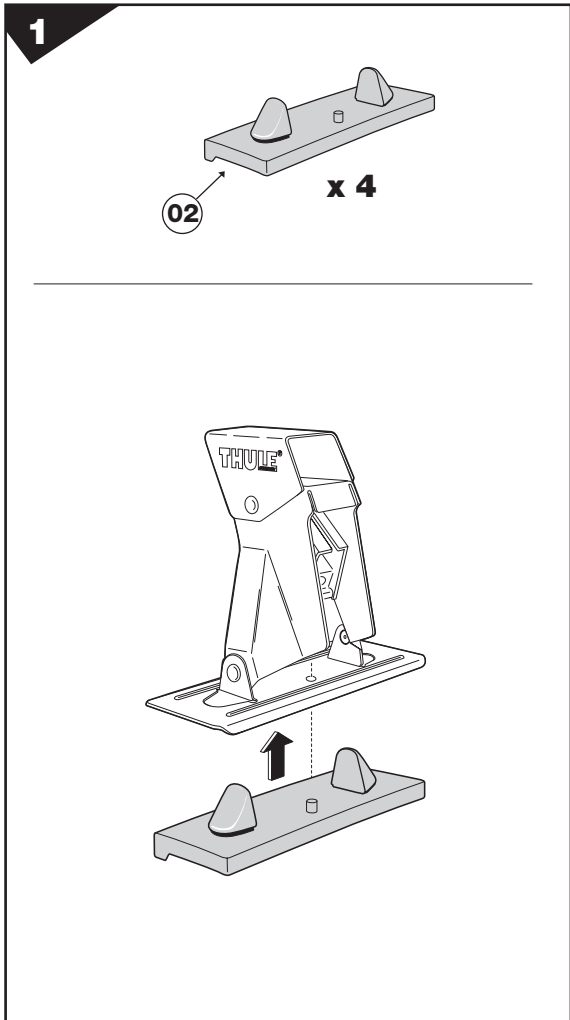


# THULE® SWEDEN

Box 69, 330 33 Hillerstorp, SWEDEN  
www.thule.com

712\*3DF/2/501-2095-04

# Follow me...



**2**

<b>CITROËN Jumper,</b> 2-dr Chassi, 95-06	1570 mm 61 3/4 inch	—
<b>CITROËN Jumper,</b> 4-dr Chassi, 95-06	1570 mm 61 3/4 inch	1600 mm 63 inch
<b>FIAT Ducato,</b> 2-dr Chassi, 95-06	1570 mm 61 3/4 inch	—
<b>FIAT Ducato,</b> 4-dr Chassi, 95-06	1570 mm 61 3/4 inch	1600 mm 63 inch
<b>MERCEDES Sprinter,</b> 2-dr Chassi, 95-99, 00-06	1570 mm 61 3/4 inch	1500 mm 59 inch
<b>MERCEDES Sprinter,</b> 3-dr Double cab, 95-99, 00-06	1570 mm 61 3/4 inch	1500 mm 59 inch
<b>OPEL Movano (L3H1),</b> 4-dr Double cab, 01-	1543 mm 60 3/4 inch	1543 mm 60 3/4 inch
<b>PEUGEOT Boxer,</b> 2-dr Chassi, 95-06	1570 mm 61 3/4 inch	—
<b>PEUGEOT Boxer,</b> 4-dr Chassi, 95-06	1570 mm 61 3/4 inch	1600 mm 63 inch

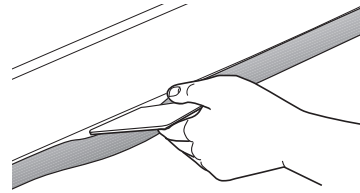
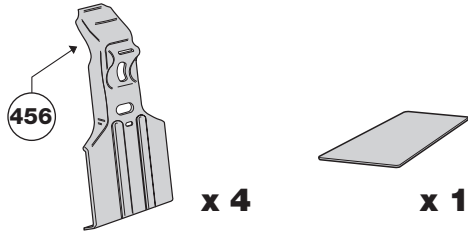
**3**

**456** x 2 x 1

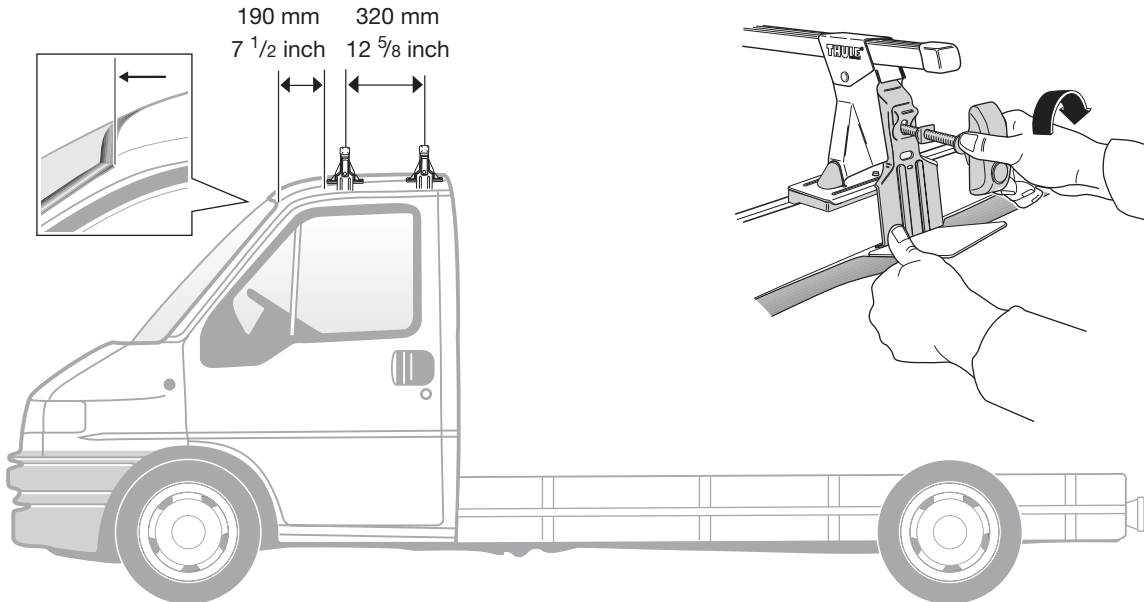
**CITROËN Jumper,**  
2-dr Chassi, 95-06  
**FIAT Ducato,**  
2-dr Chassi, 95-06  
**PEUGEOT Boxer,**  
2-dr Chassi, 95-06

415 mm  
16 3/8 inch

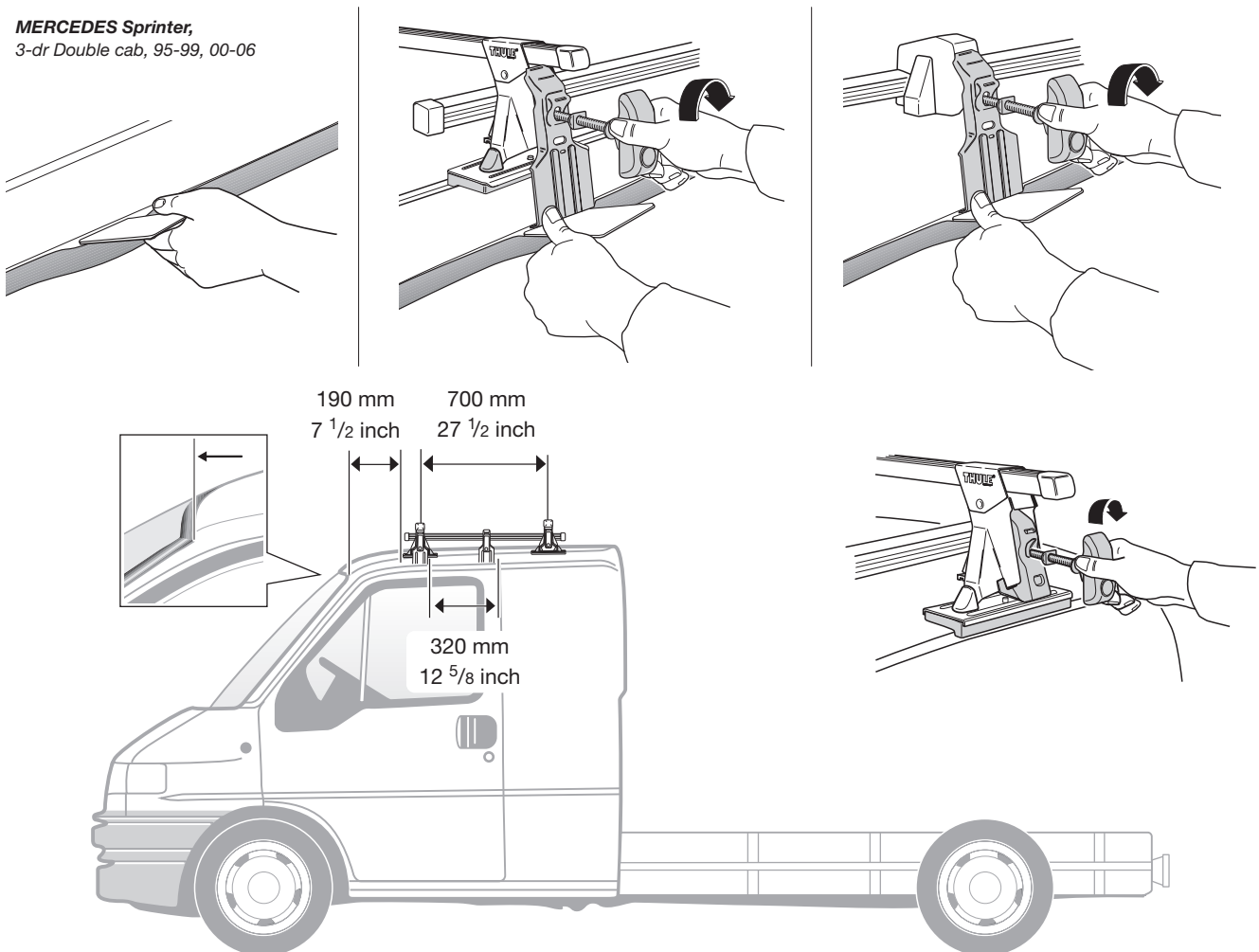
3



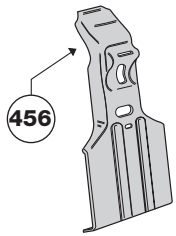
**MERCEDES Sprinter,**  
2-dr Chassi, 95-99, 00-06



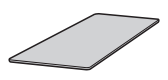
**MERCEDES Sprinter,**  
3-dr Double cab, 95-99, 00-06



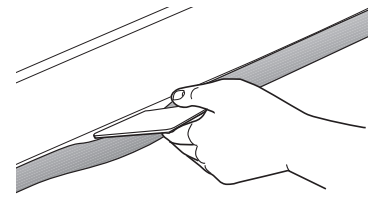
3



x 4



x 1



**CITROËN Jumper,**  
4-dr Chassi, 95-06

**FIAT Ducato,**  
4-dr Chassi, 95-06

**OPEL Movano (L3H1),**  
4-dr Double cab, 01-

**PEUGEOT Boxer,**  
4-dr Chassi, 95-06

