

204

VOLKSWAGEN EUROVAN, '93

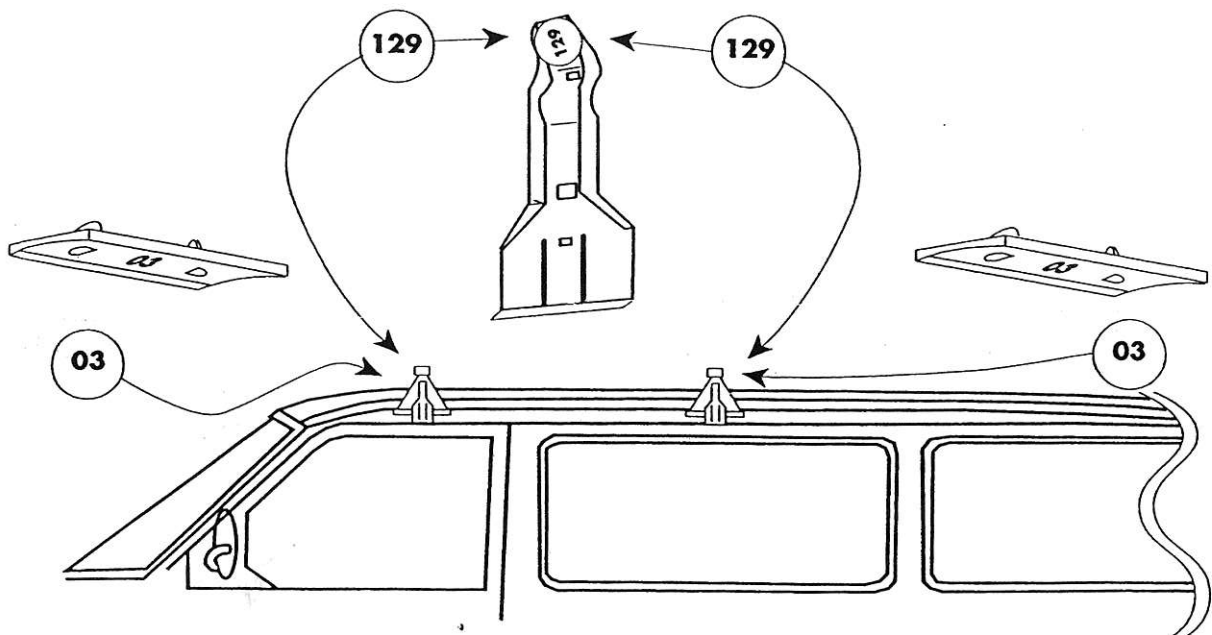
Art. nr 1061-1-204

IMPORTANT!

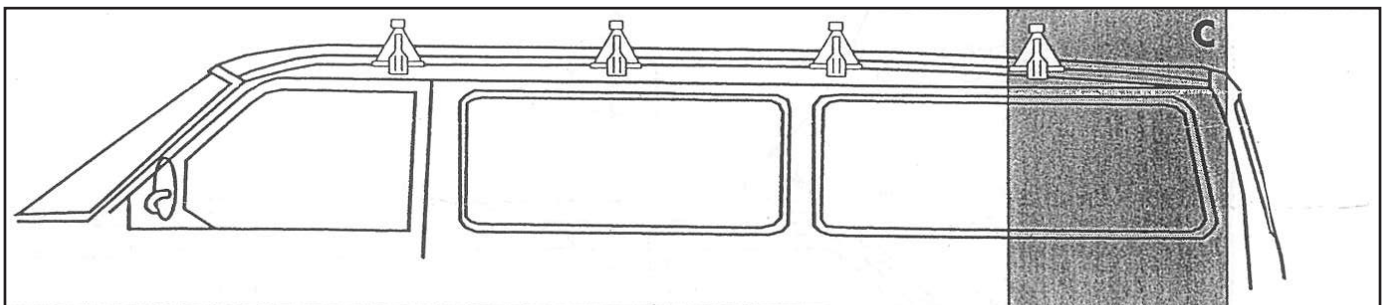
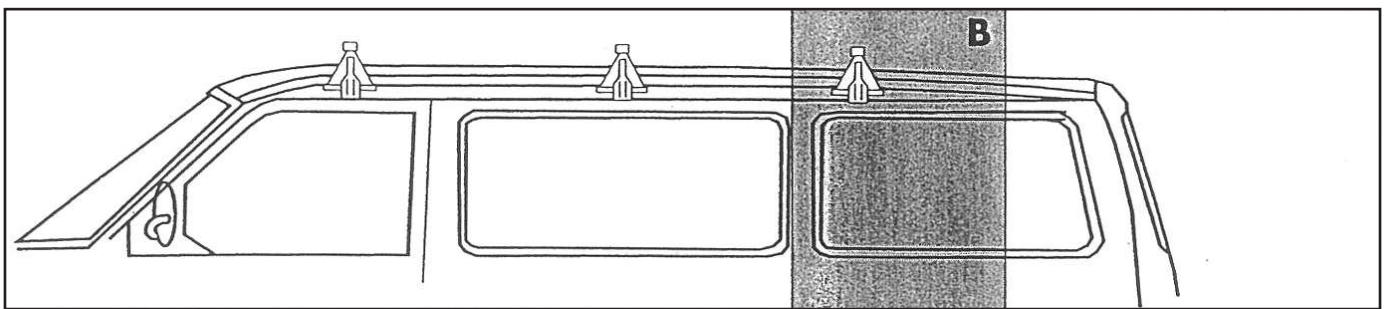
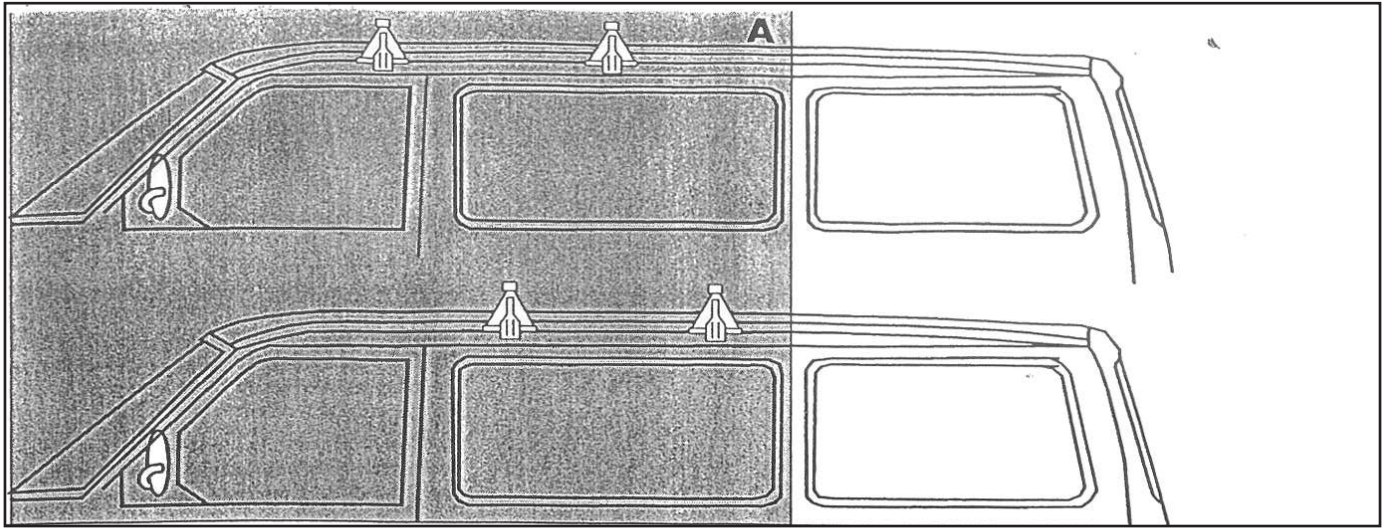
The load carrier should be placed on the car roof according to the instructions from the car manufacturer and according to the load carrier instructions.

IMPORTANT!

Le porte-bagage sera fixé sur le toit du véhicule selon les instructions du fabricant et selon les instructions du porte-bagage.



See reverse side for foot spread specifications.



A = 1235mm

B = 1210mm

C = 1183mm

A,B,C

