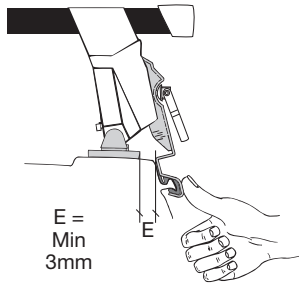
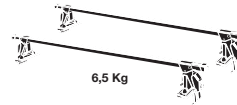
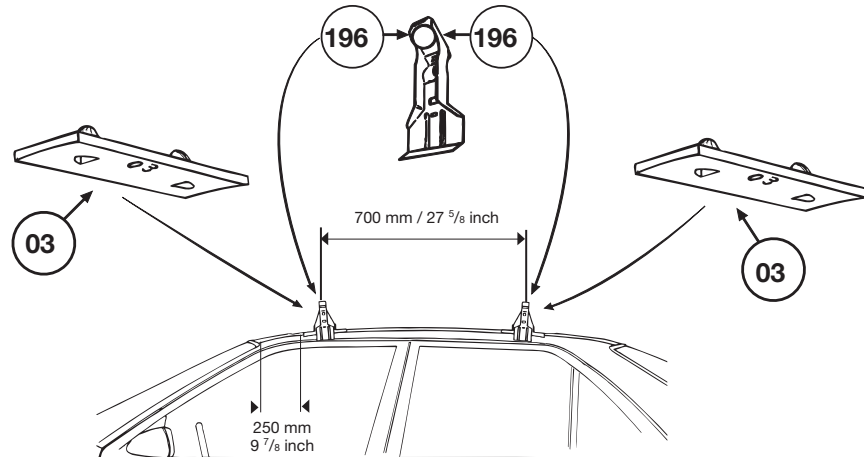


Thule System Kit 187

**TOYOTA Aristo, 92-
LEXUS 300 GS, 94-**



Screw the load carrier into position alternating between the feet, and maintaining constant pressure on the bracket.



Front

Rear

953 mm / 37 ¹/₂ inch

975 mm / 38 ¹/₄ inch