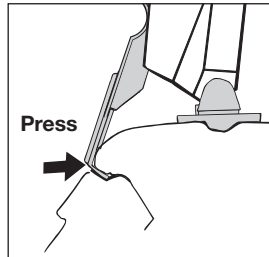
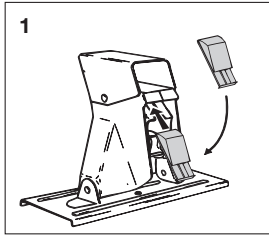
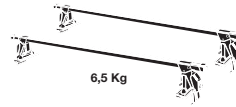


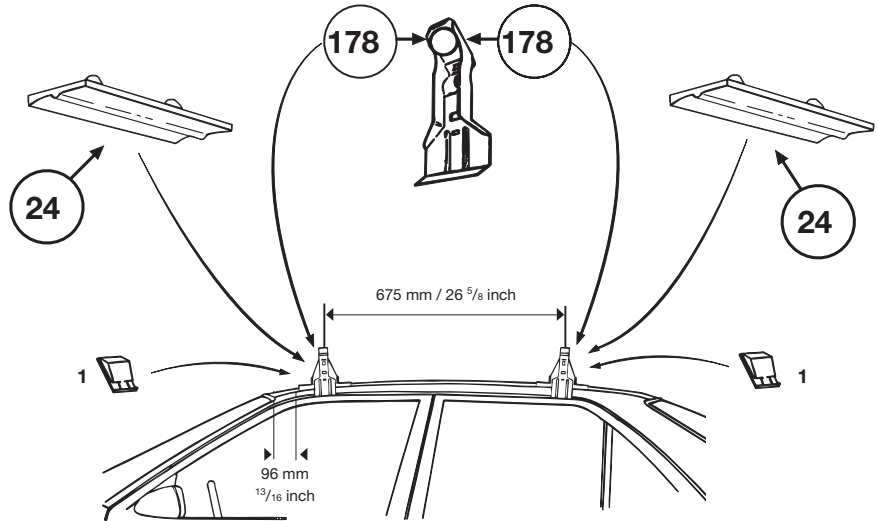
# Thule System Kit 171

## PEUGEOT 106 5-dr, 93-

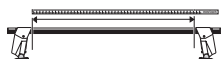
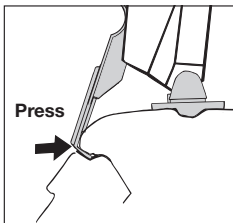
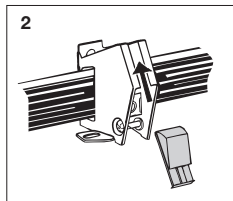
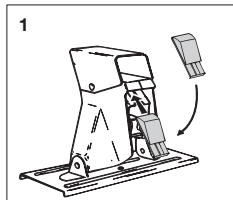
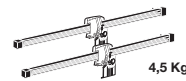
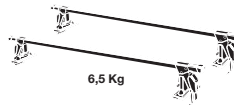


Front      Rear

|                      |                      |
|----------------------|----------------------|
| 815 mm / 32 1/8 inch | 800 mm / 31 1/2 inch |
|----------------------|----------------------|

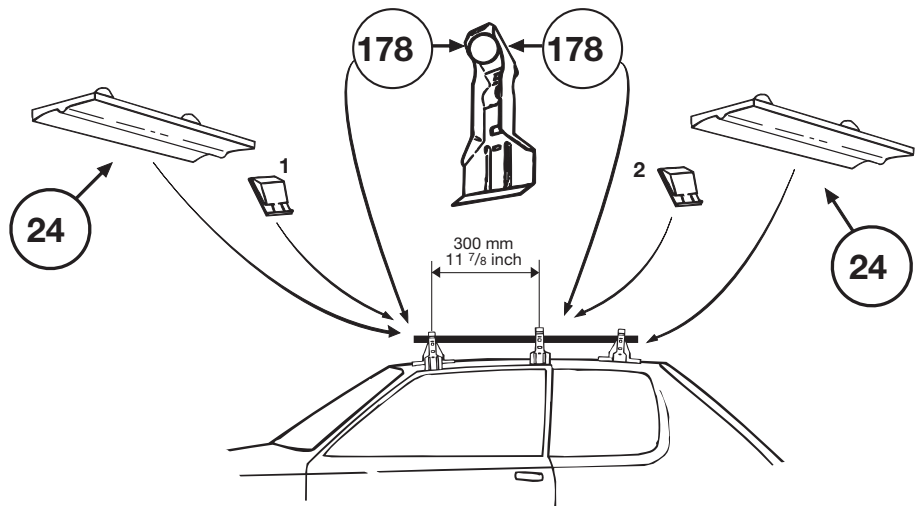


## PEUGEOT 106 3-dr, 92-



Front      Rear

|                      |                  |
|----------------------|------------------|
| 820 mm / 32 3/4 inch | 837 mm / 33 inch |
|----------------------|------------------|



SRA 377/477

