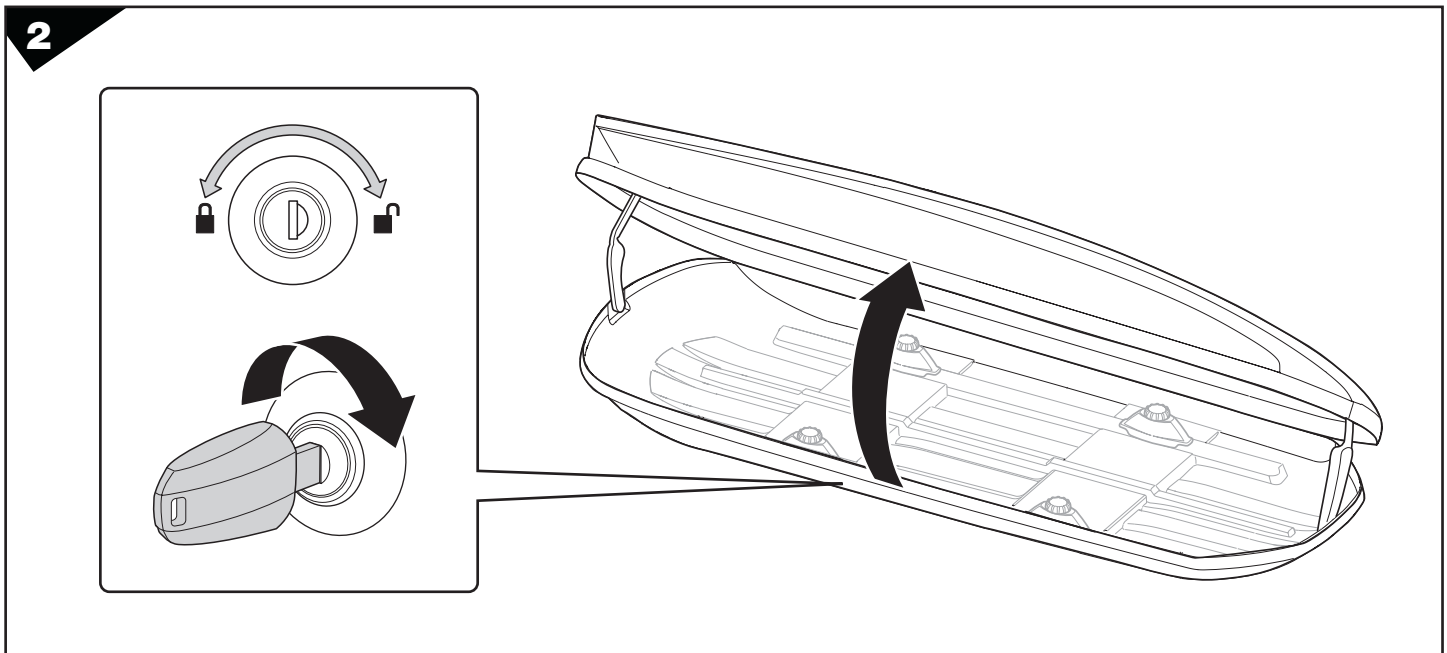
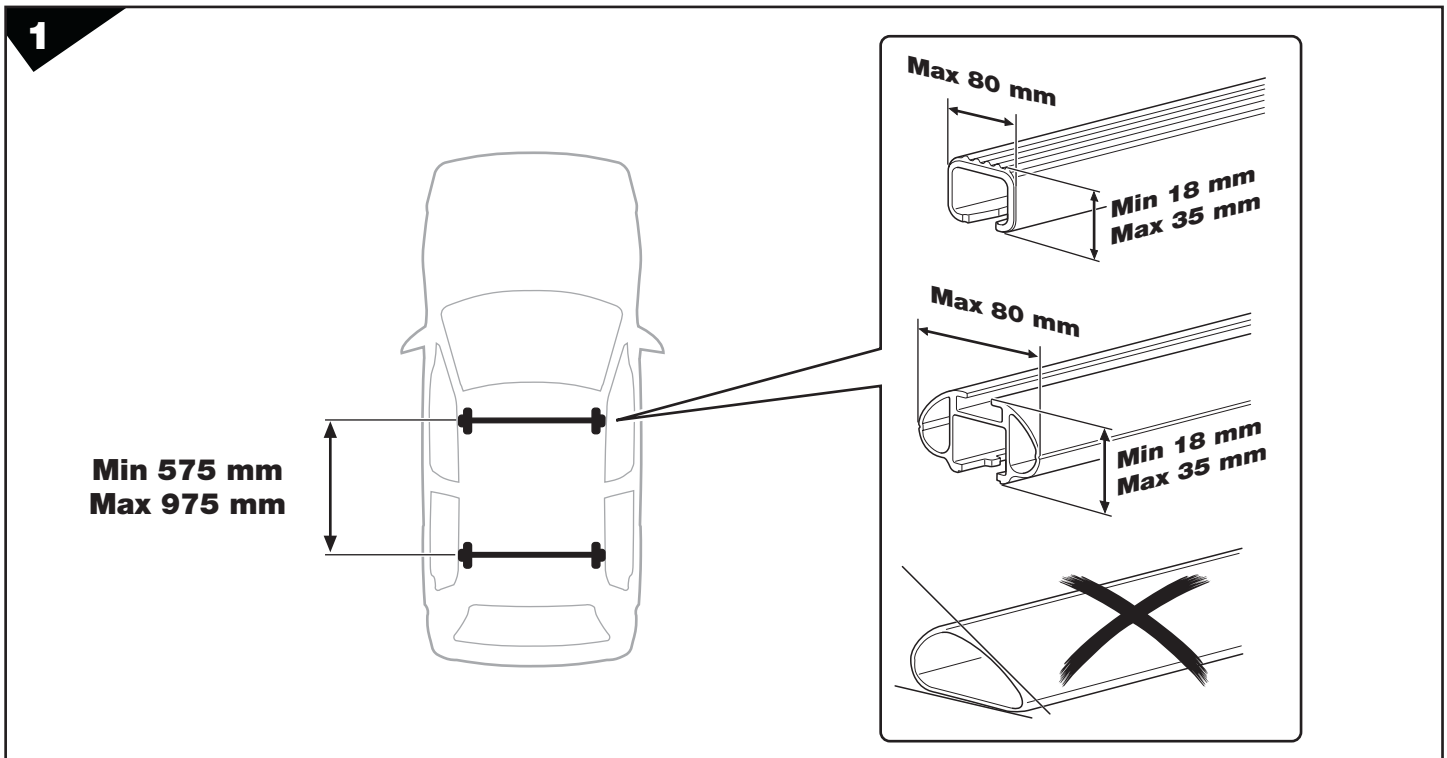
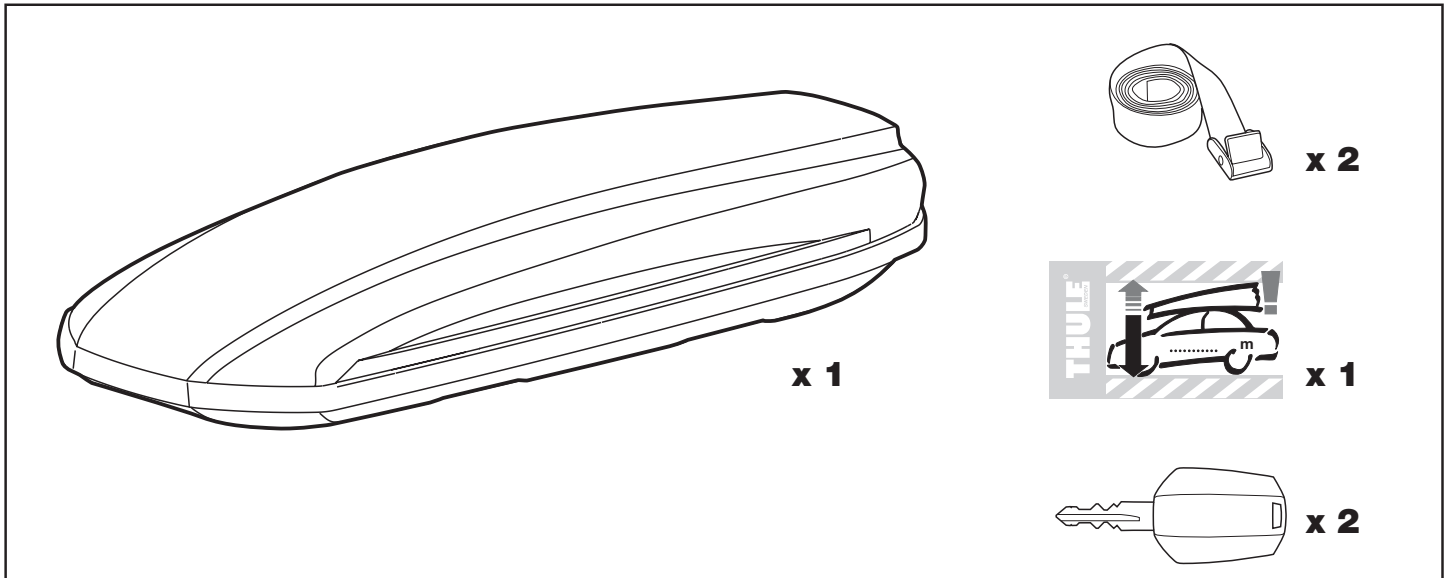


GB	Fitting instructions	SK	Návod na montáž
D	Montageanleitung	SLO	Navodila za pritrjevanje
F	Instructions de montage	HR	Uputa za sastavljanje
NL	Montage-instructies	HU	A felszerelés módja
I	Istruzioni per il montaggio	GR	Οδηγίες συναρμολόγησης
E	Instrucciones de montaje	TR	Montaj talimatları
PT	Instruções de Montagem	中文	安装说明
S	Monteringsanvisning	日本語	取扱(取付)説明書
FIN	Asennusohje	한국어	장착 지침
EST	Paigaldusjuhend	ไทย	คำแนะนำการติดตั้ง
LAT	Stiprināšanas instrukcija		
LIT	Pritvirtinimo instrukcijos		
PL	Instrukcja montażu		
RU	Инструкции по установке		
CZ	Návod na montáž		

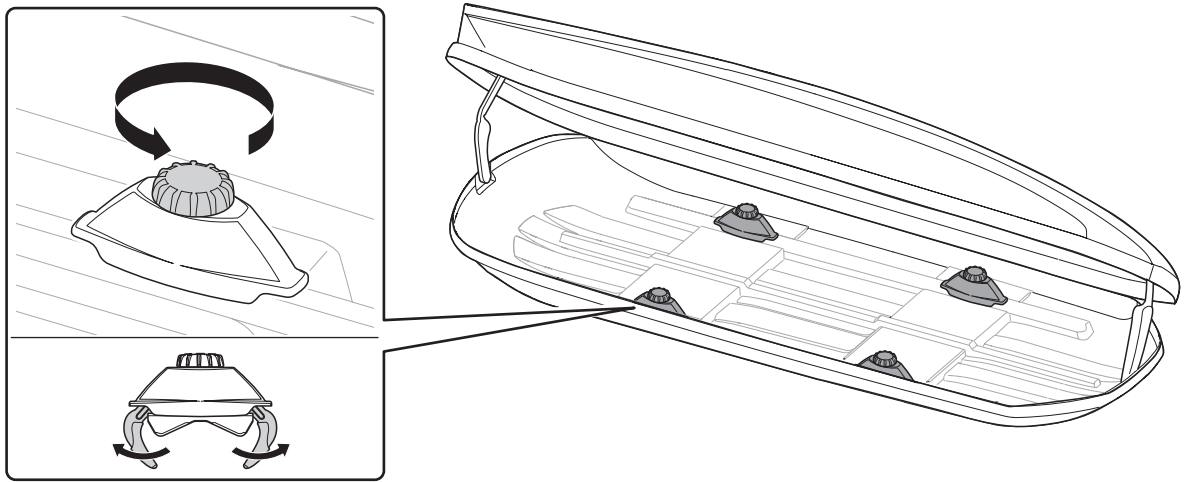


Spirit

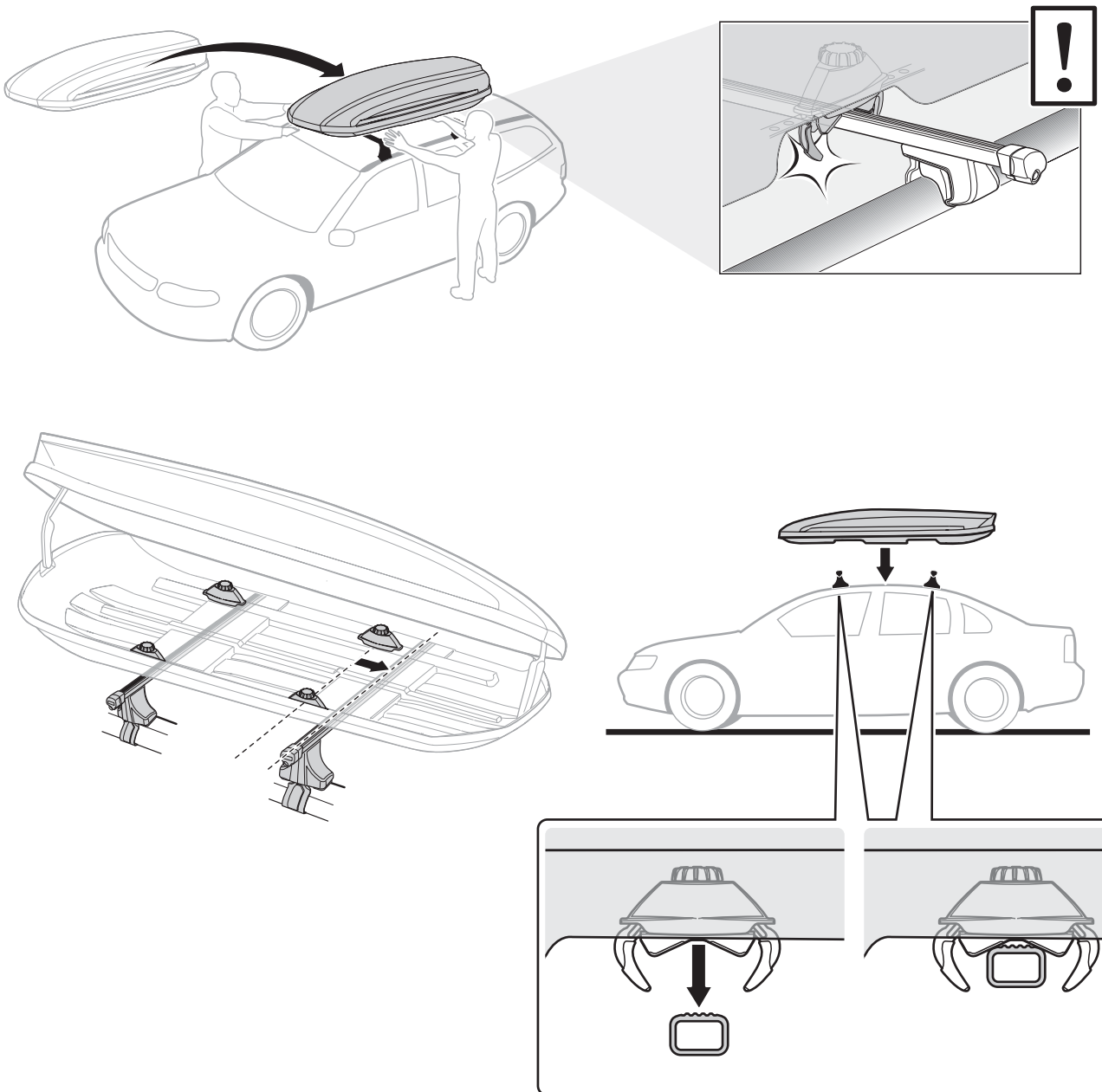
Follow me...



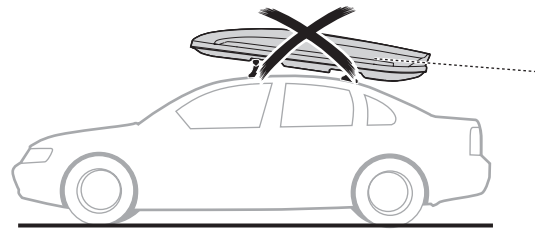
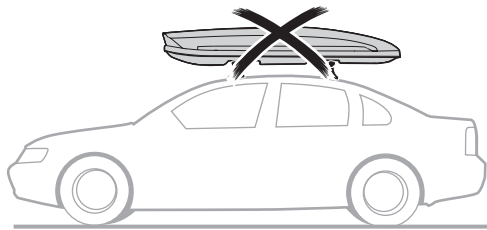
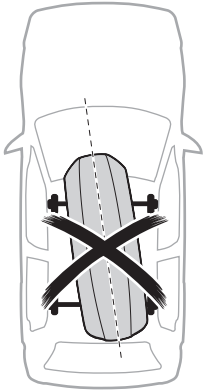
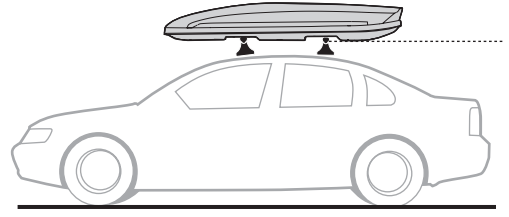
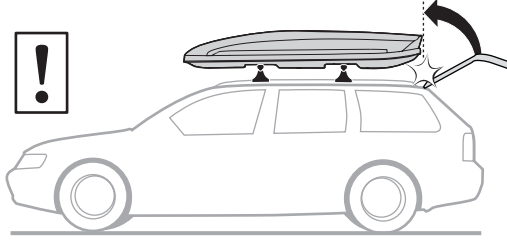
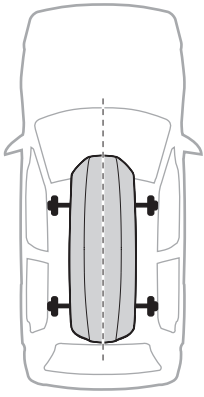
3



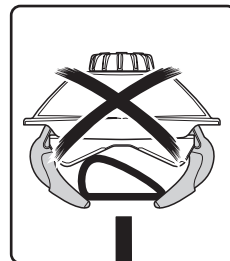
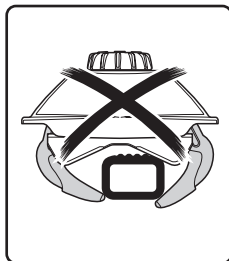
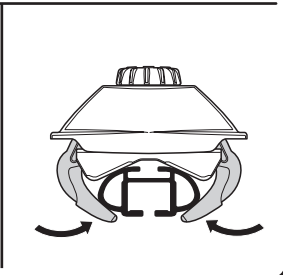
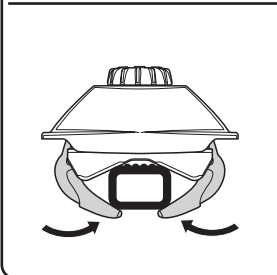
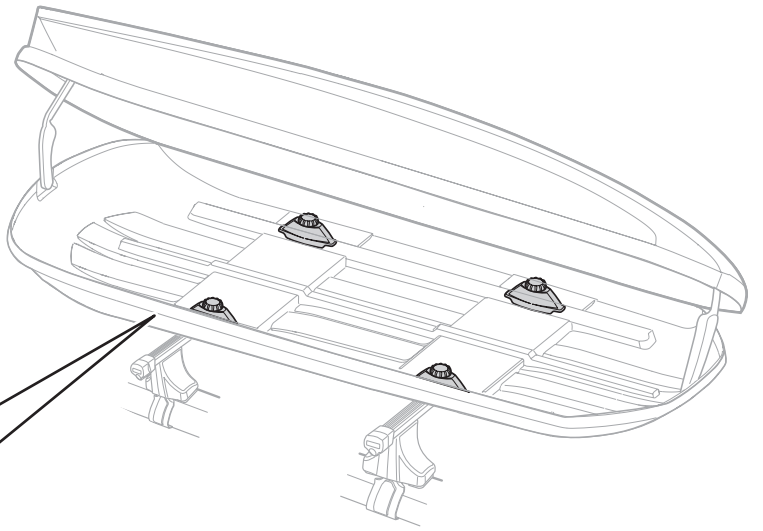
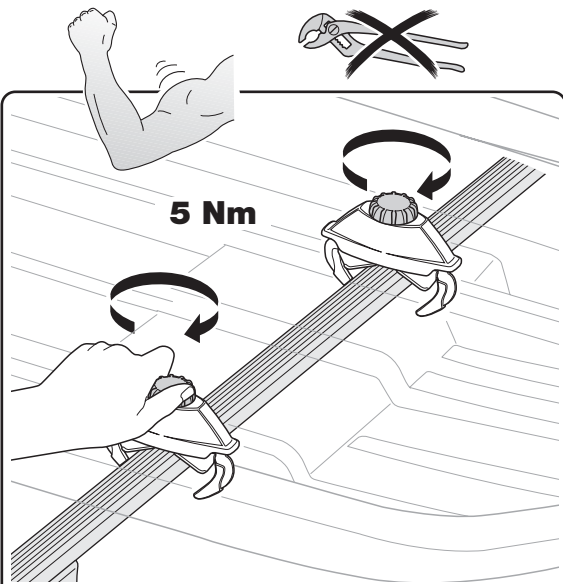
4



5



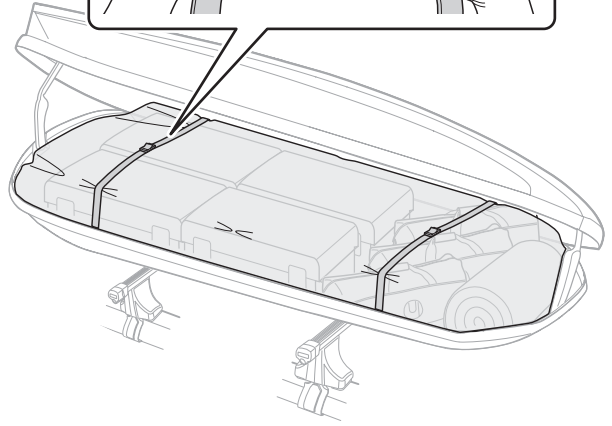
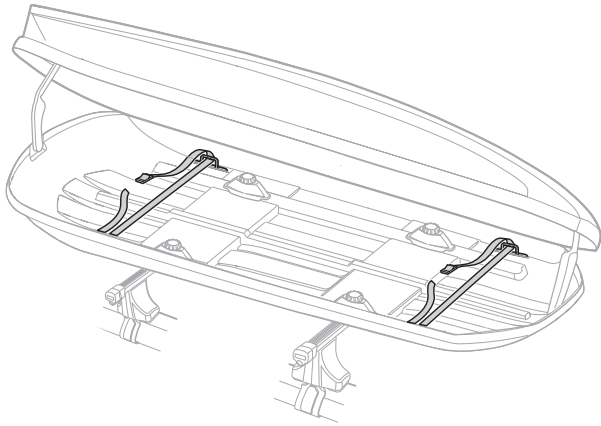
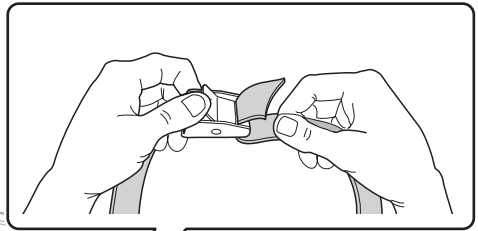
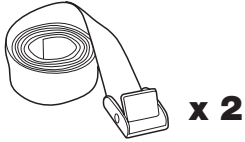
6



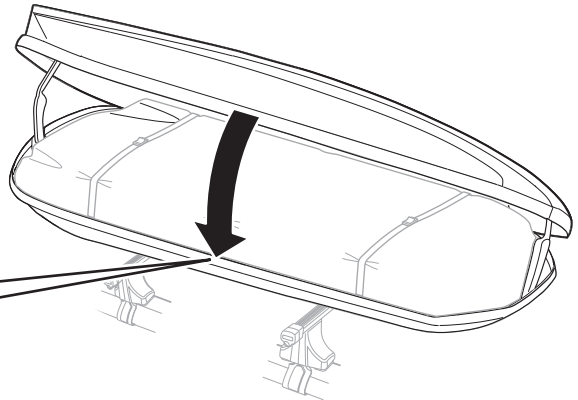
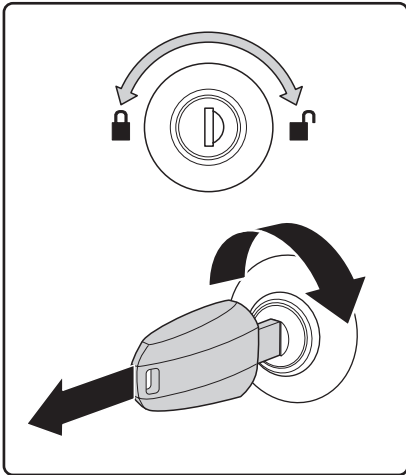
Thule T-Nut Adapter

696400
697400

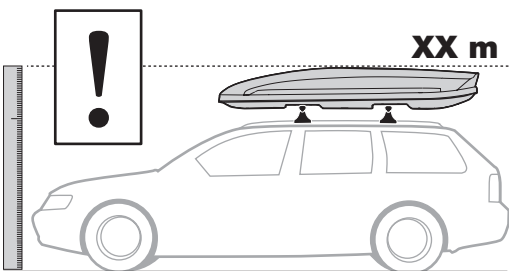
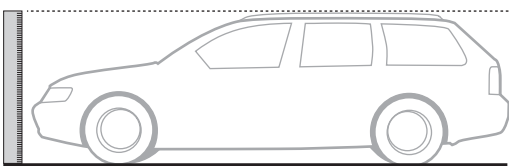
7



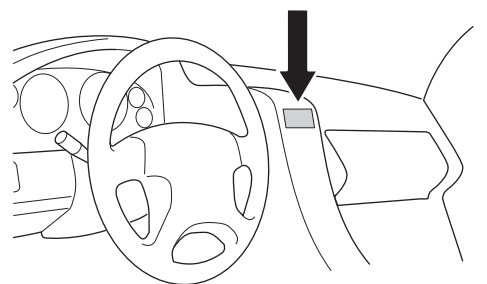
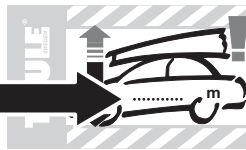
8



9



XX m



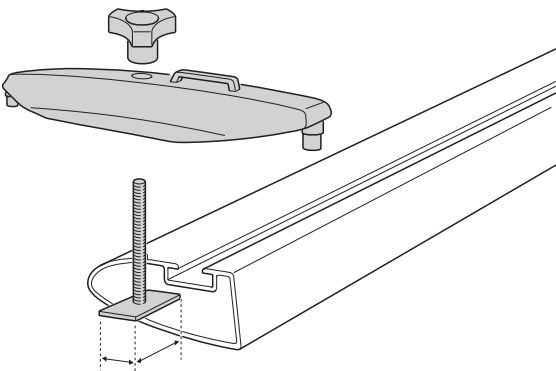
GB Accessories
D Zubehör
F Accessoires
NL Accessoires
I Accessori
E Accesorios
PT Acessórios

S Tillbehör
FIN Lisävarusteet
EST Lisavarustus
LAT Piederumi
LIT Priedai
PL Akcesoria
RU Аксессуары

CZ Doplnky
SK Príslušenstvo
SLO Dodatki
HR Dodaci
HU Tartozékok
GR Παρελκόμενα
TR Aksesuarlar

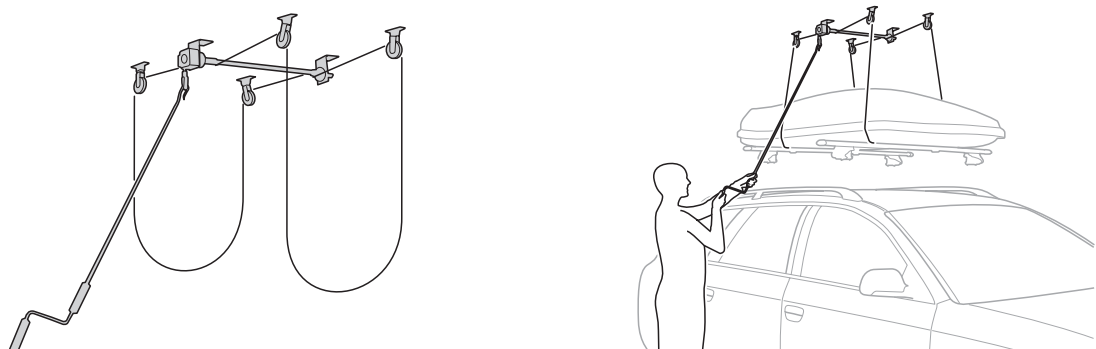
中文 附件
 日本語 付属品
 한국어 액세서리
 ไทย อุปกรณ์เสริม

Thule T-Nut Adapter



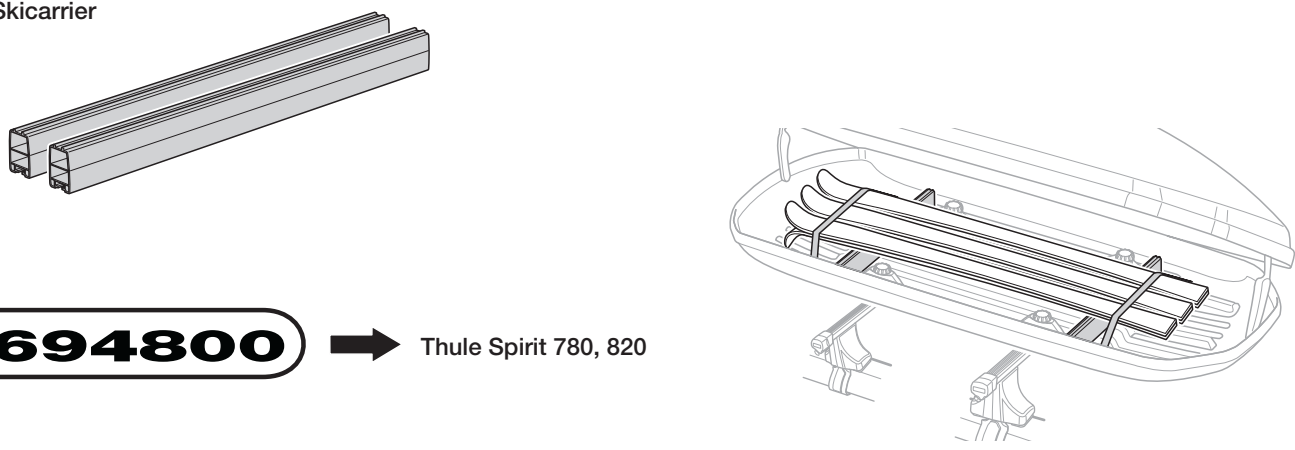
696400 → 24x30 mm
697400 → 20x20 mm

Thule Boxlift

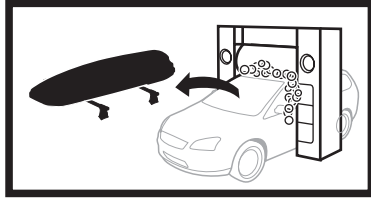
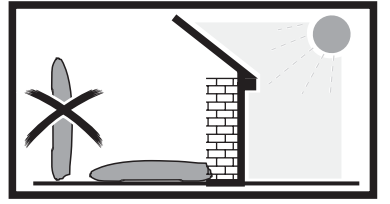
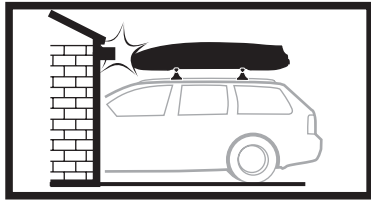
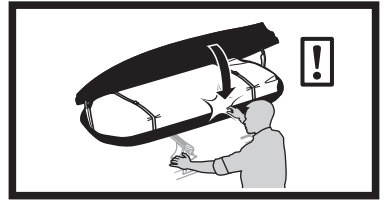
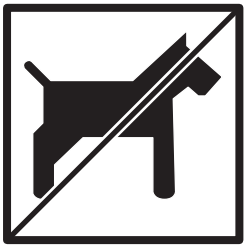
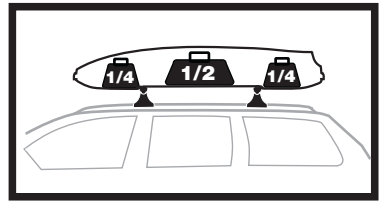
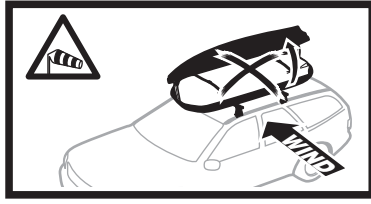
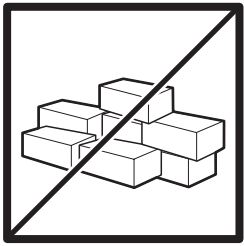
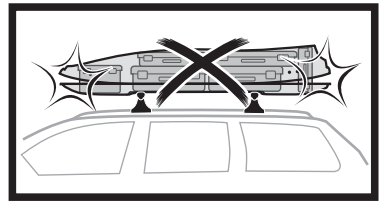
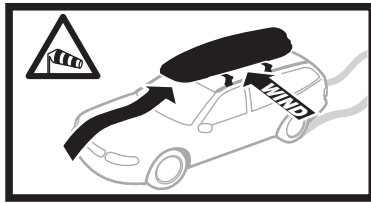
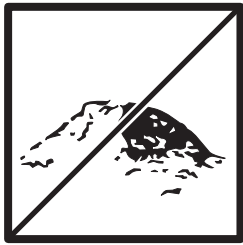
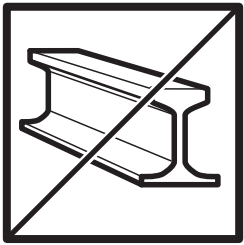


571
571000

Thule Skicarrier



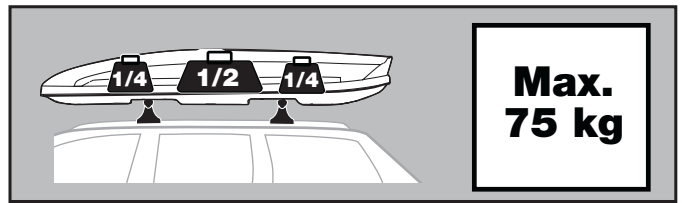
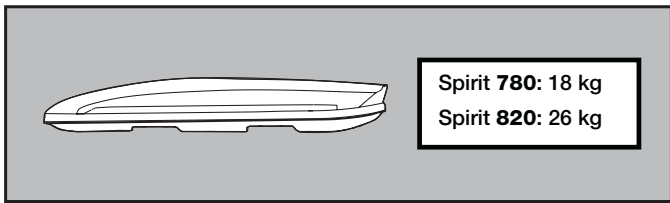
694800 → Thule Spirit 780, 820



THULE
ONE
KEY
SYSTEM

- 544 (x4)
- 596 (x6)
- 588 (x8)
- 452 (x12)

1. Insert the key into the lock cylinder at a 45-degree angle.
2. Turn the key clockwise to the first stop.
3. Turn the key counter-clockwise to the second stop.
4. Turn the key clockwise to the third stop.
5. Turn the key counter-clockwise to the fourth stop.
6. Turn the key clockwise to the fifth stop.
7. Turn the key counter-clockwise to the sixth stop.
8. Turn the key clockwise to the seventh stop.



Kaufdatum/Date of purchase:

Kassenzettel hier abheften
Place receipt here

Händler/Dealer:

Stempel/stamp

