

THULE[®]

SWEDEN

- GB** Fitting instructions
- D** Montageanleitung
- F** Instructions de montage
- NL** Montage-instructies
- I** Istruzioni per il montaggio
- E** Instrucciones de montaje
- PT** Instruções de Montagem
- S** Monteringsanvisning
- FIN** Asennusohje
- EST** Paigaldusjuhend
- LAT** Stiprināšanas instrukcija
- LIT** Pritvirtinimo instrukcijos
- PL** Instrukcja montażu
- RU** Инструкции по установке
- CZ** Návod na montáž
- SK** Návod na montáž
- SLO** Navodila za pritrjevanje
- HR** Uputa za sastavljanje
- HU** A felszerelés módja
- GR** Οδηγίες συναρμολόγησης
- TR** Montaj talimatları
- 中文** 安装说明
- 日本語** 取扱(取付)説明書
- 한국어** 장착 지침
- ไทย** คำแนะนำการติดตั้ง

CHRYSLER PT Cruiser, 5-dr Estate, 01-08 (with T-profile)

CITROËN Xantia, 5-dr Estate, 96-01 (with T-profile)

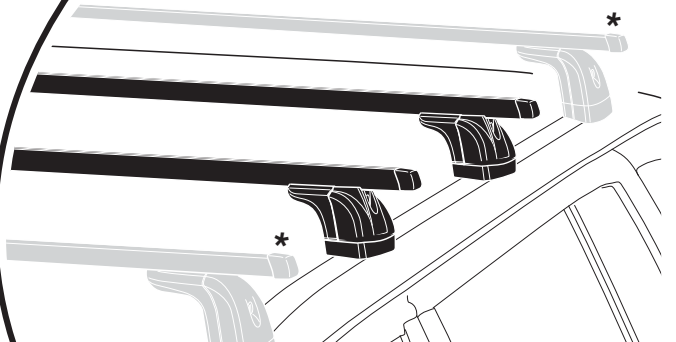
CITROËN Xsara, 5-dr Estate, 96-06 (with T-profile)

* **MERCEDES Viano**, 4-dr Bus, 96-03, 04- (with T-profile)

* **MERCEDES Viano Marco Polo**, 4-dr Bus, 96-03, 04- (with T-profile)

* **MERCEDES Vito**, 4-dr Van, 96-03, 04- (with T-profile)

RAPID FIXPOINT XT



3084
133084



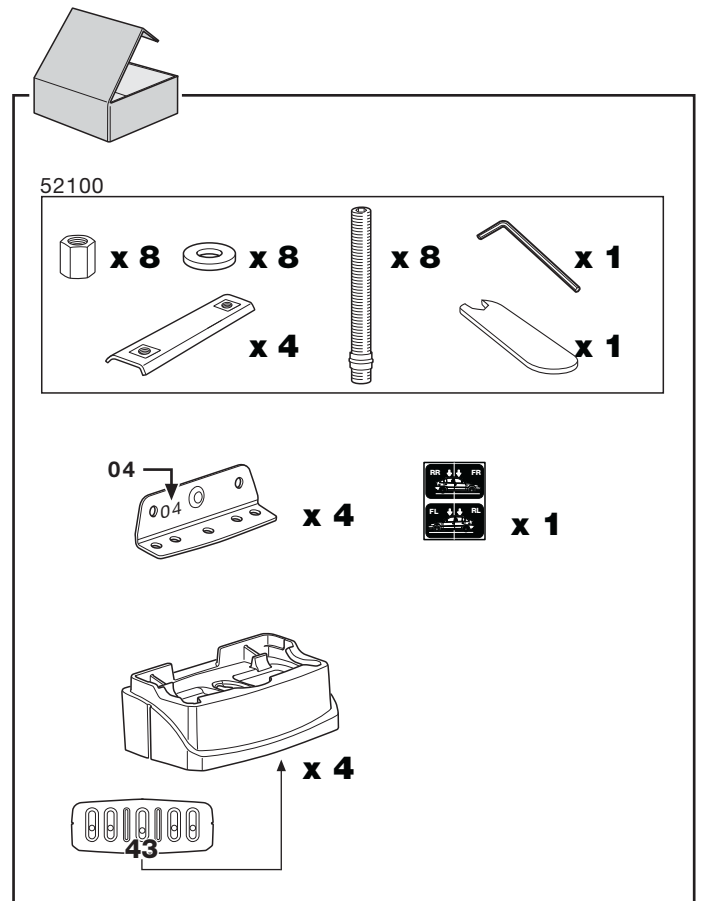
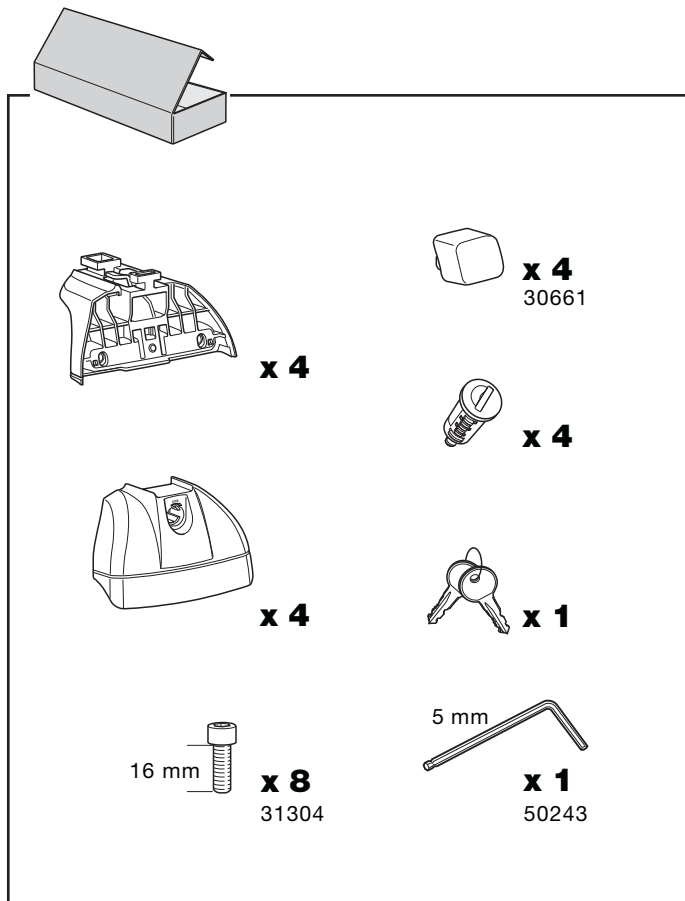
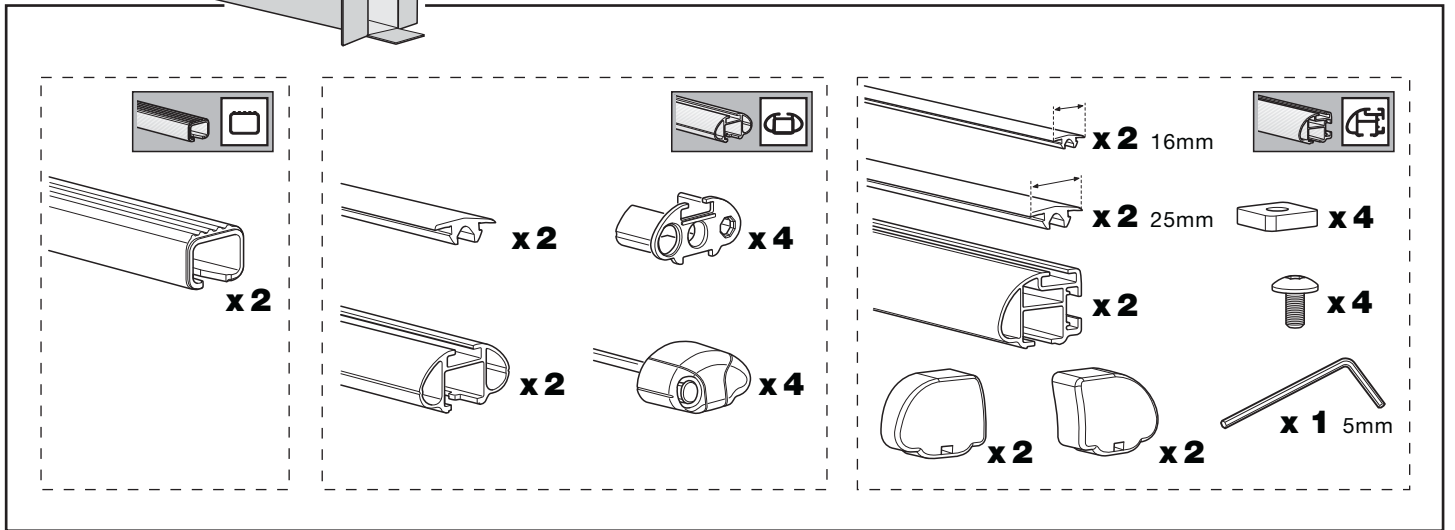
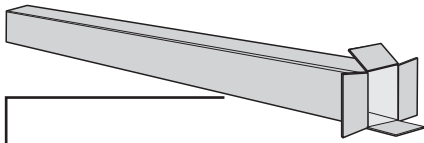
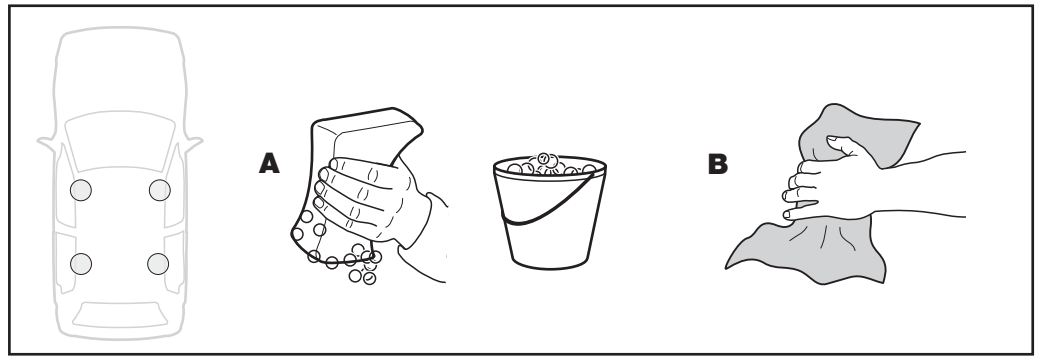
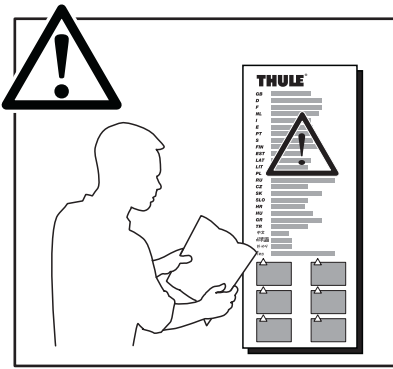
Follow me...

922•A/501-3084-02

info@thule.com

www.thule.com
www.thuleprofessional.com

Thule Sweden AB, Box 69, 330 33 Hillerstorp, SWEDEN



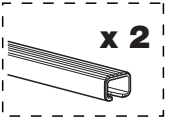
1



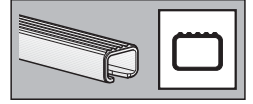
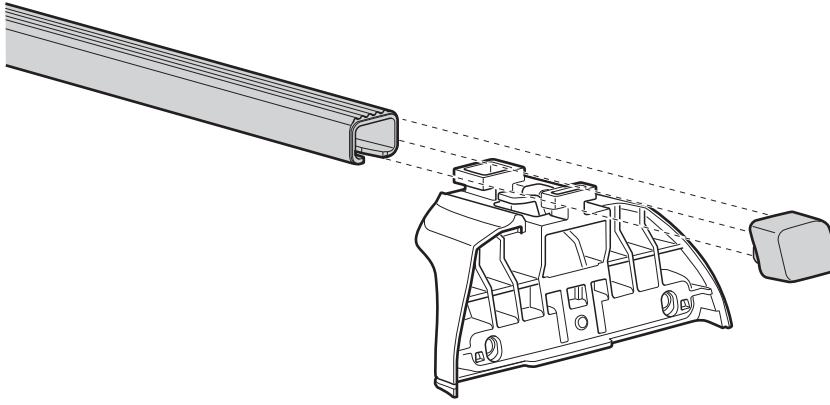
x 4



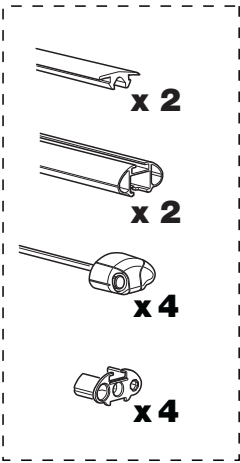
x 4



x 2



x 4

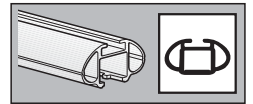
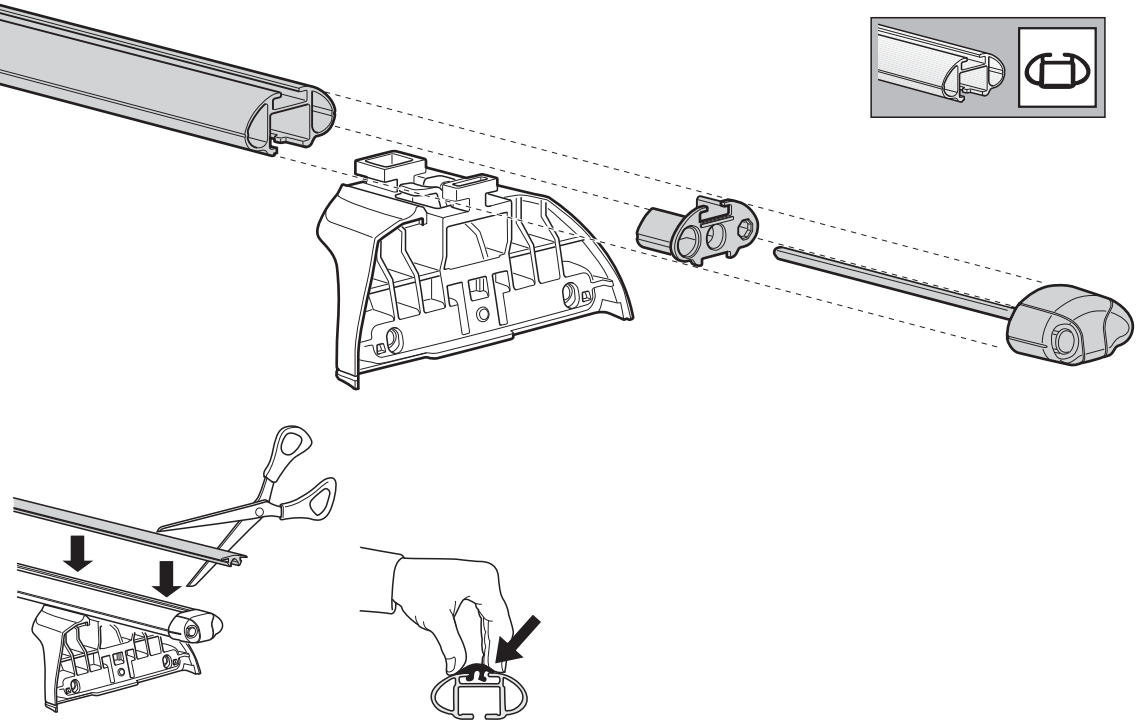


x 2

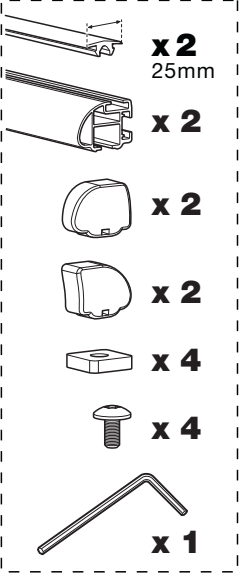
x 2

x 4

x 4



x 4



x 2

25mm

x 2

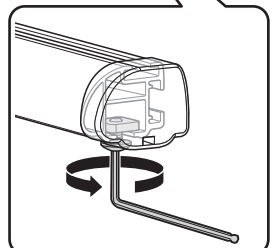
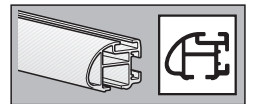
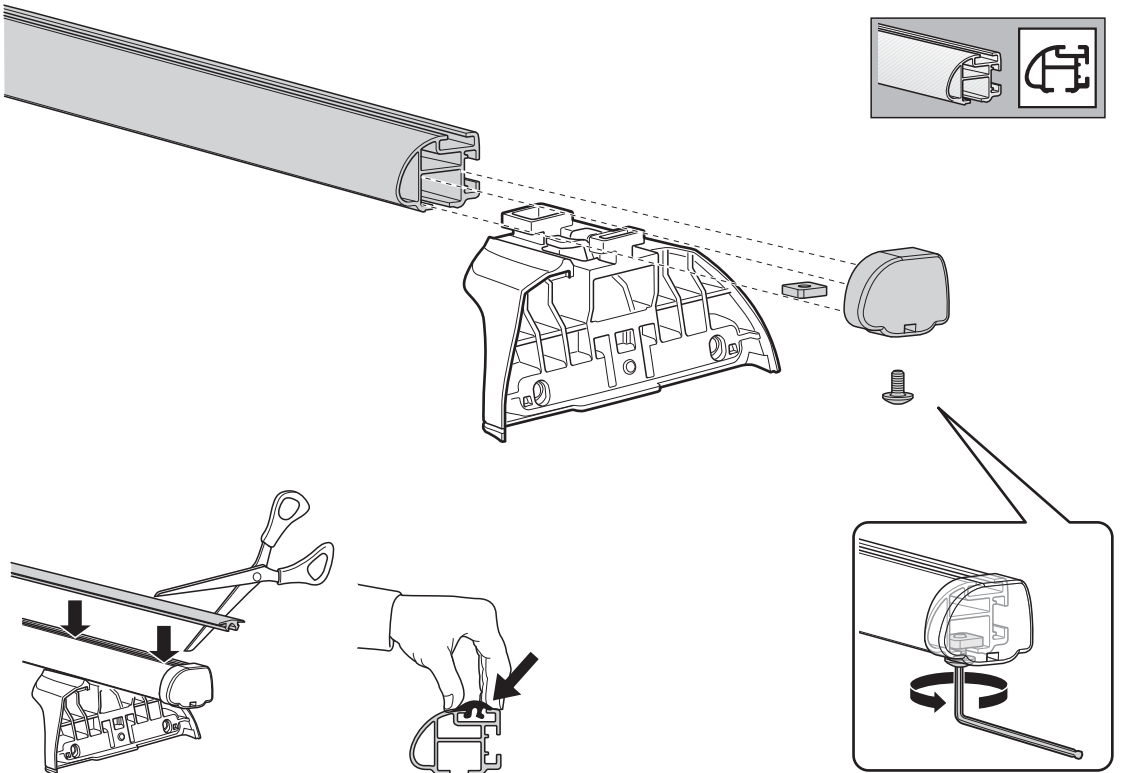
x 2

x 2

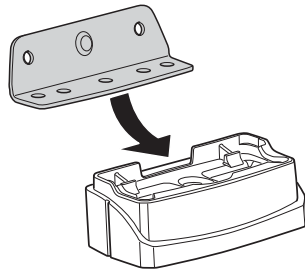
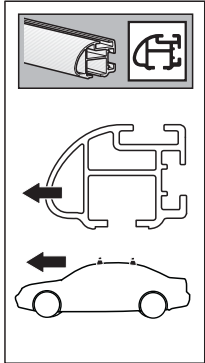
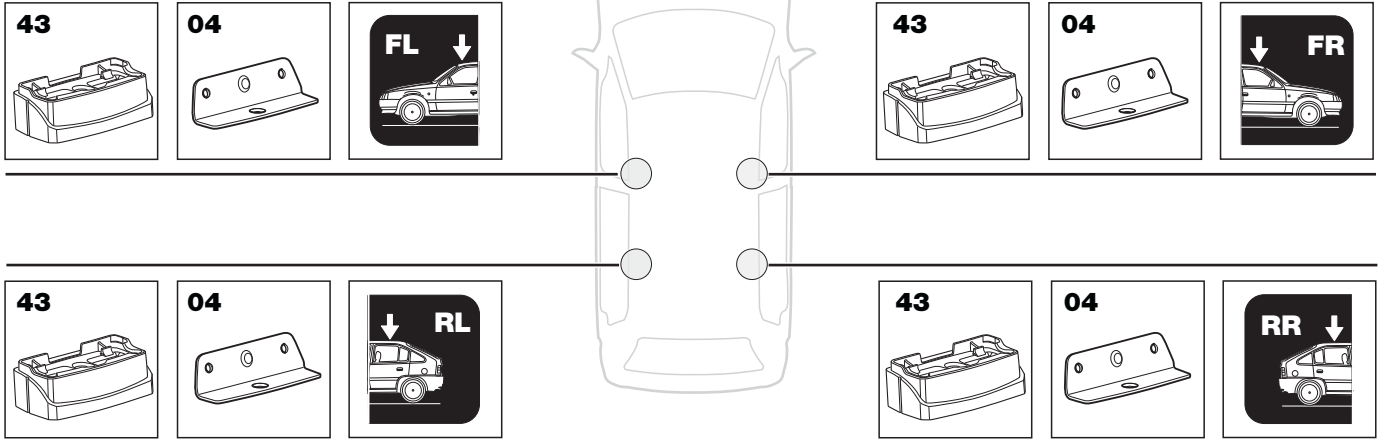
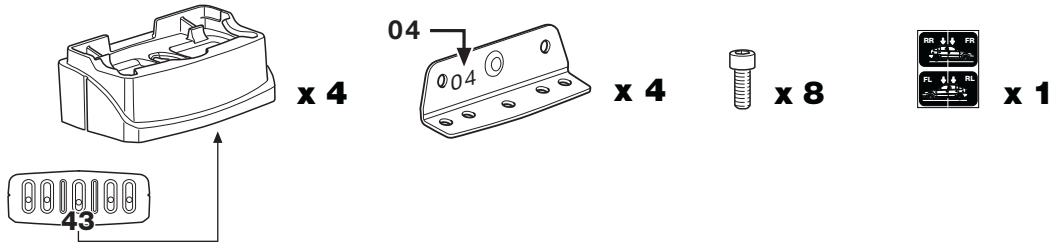
x 4

x 4

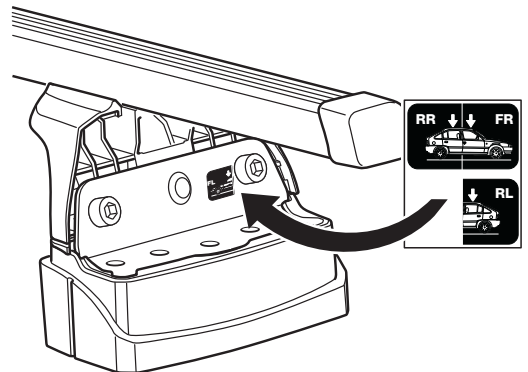
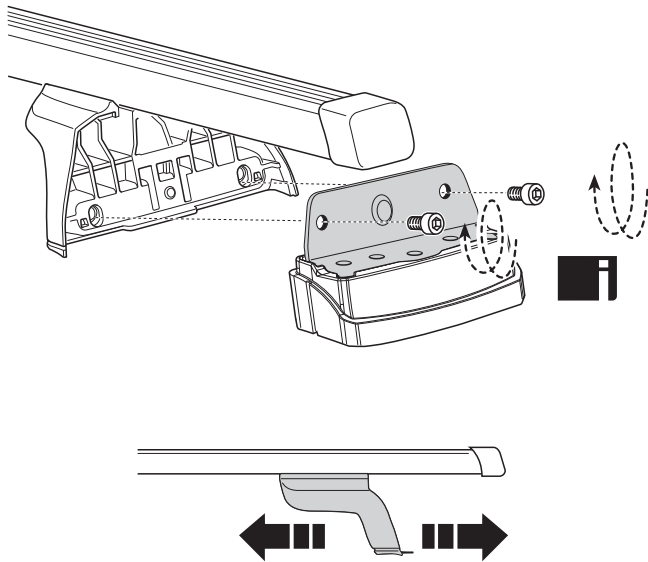
x 1



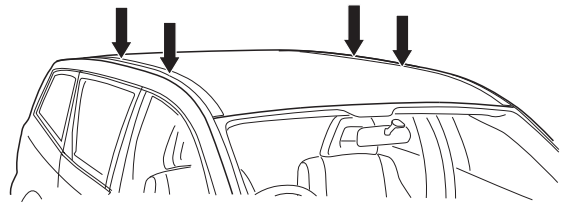
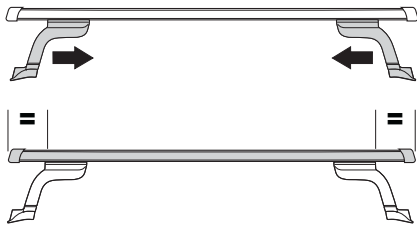
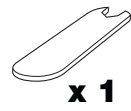
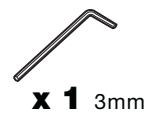
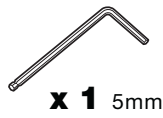
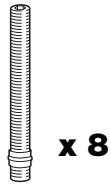
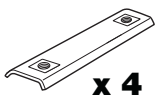
753



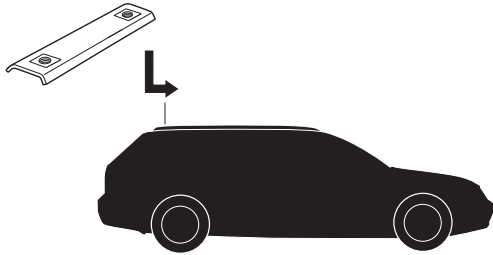
- | | | | |
|------------|---------------------------|------------|--------------------------------|
| GB | Only a few turns | RU | Достаточно нескольких оборотов |
| D | Nur wenige Umdrehungen | CZ | Pouze několik otáček |
| F | Quelques tours uniquement | SK | Len niekoľko otáčok |
| NL | Slechts enkele slagen | SLO | Le nekaj obratov |
| I | Solo qualche giro | HR | Samo nekoliko okreta |
| E | Sólo algunas vueltas | HU | Csak néhány fordítás |
| PT | Noções básicas | GR | Μόνο μερικές στροφές |
| S | Endast några varv | TR | Yalnız birkaç kez çevirme |
| FIN | Vain muutama kierros | 中文 | 只有几个转向 |
| EST | Ainult mõni pööre | 한국어 | 두 세번만 |
| LAT | Tikai dažī apgriezieni | 日本語 | 数回転のみ |
| LIT | Tik keli pasukimai | ไทย | หมุนเพียงไม่กี่รอบ |
| PL | Wystarczy kilka obrotów | | |



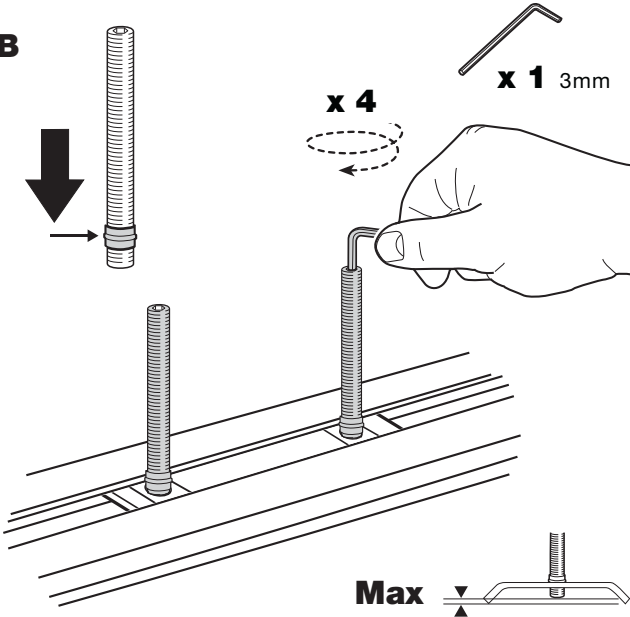
3



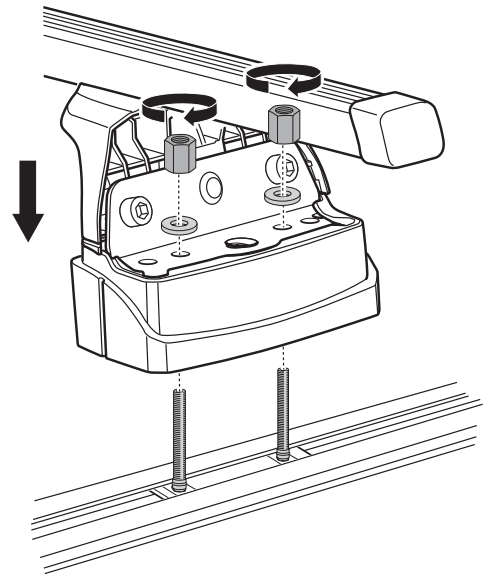
A



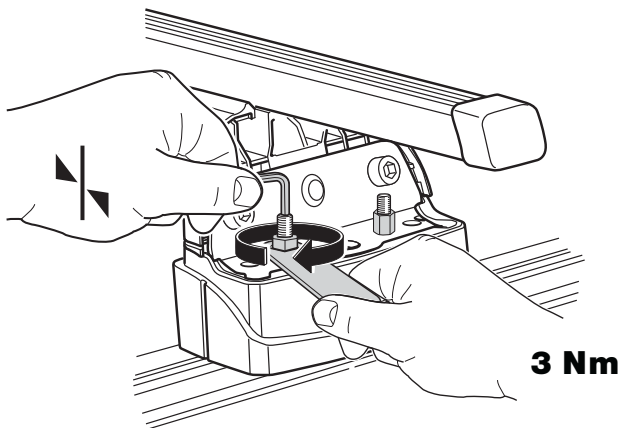
B



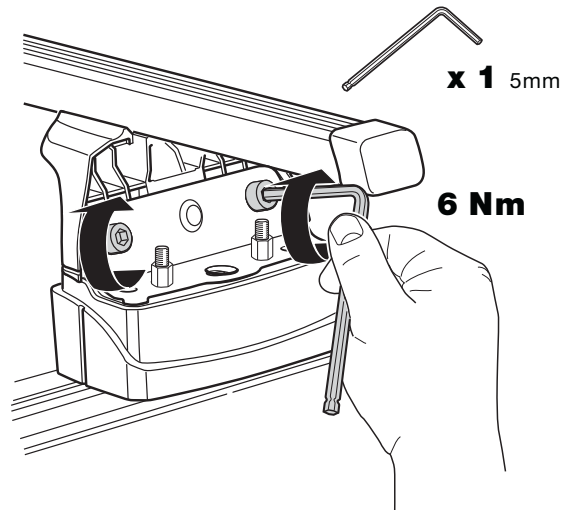
C



D



E



4



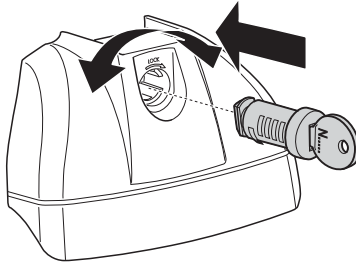
x 4



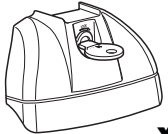
x 4



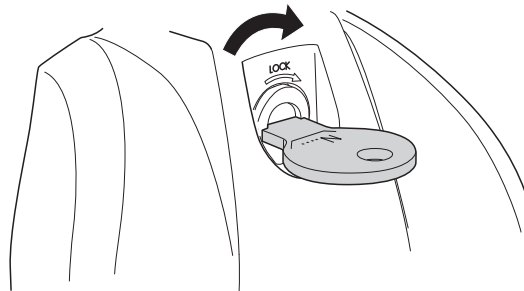
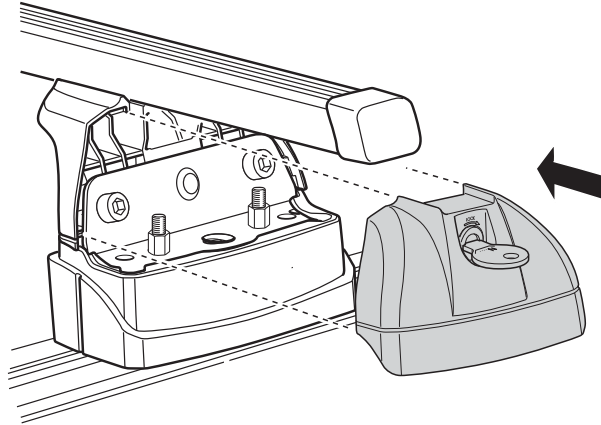
x 1



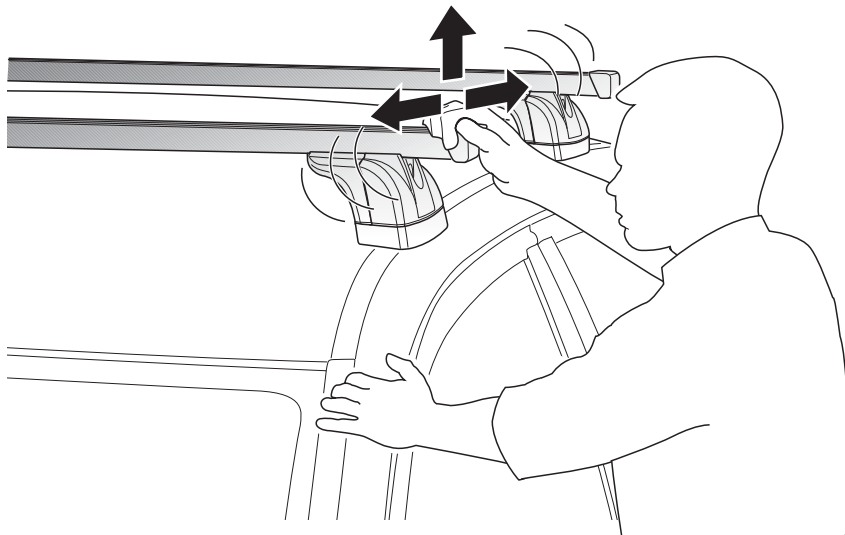
5

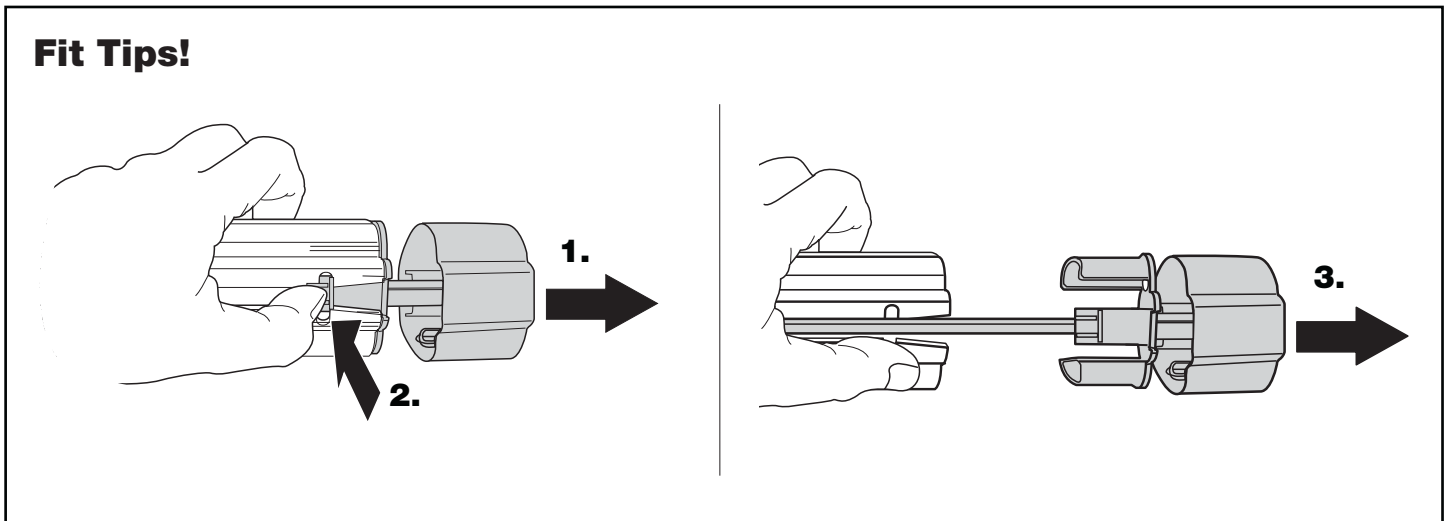
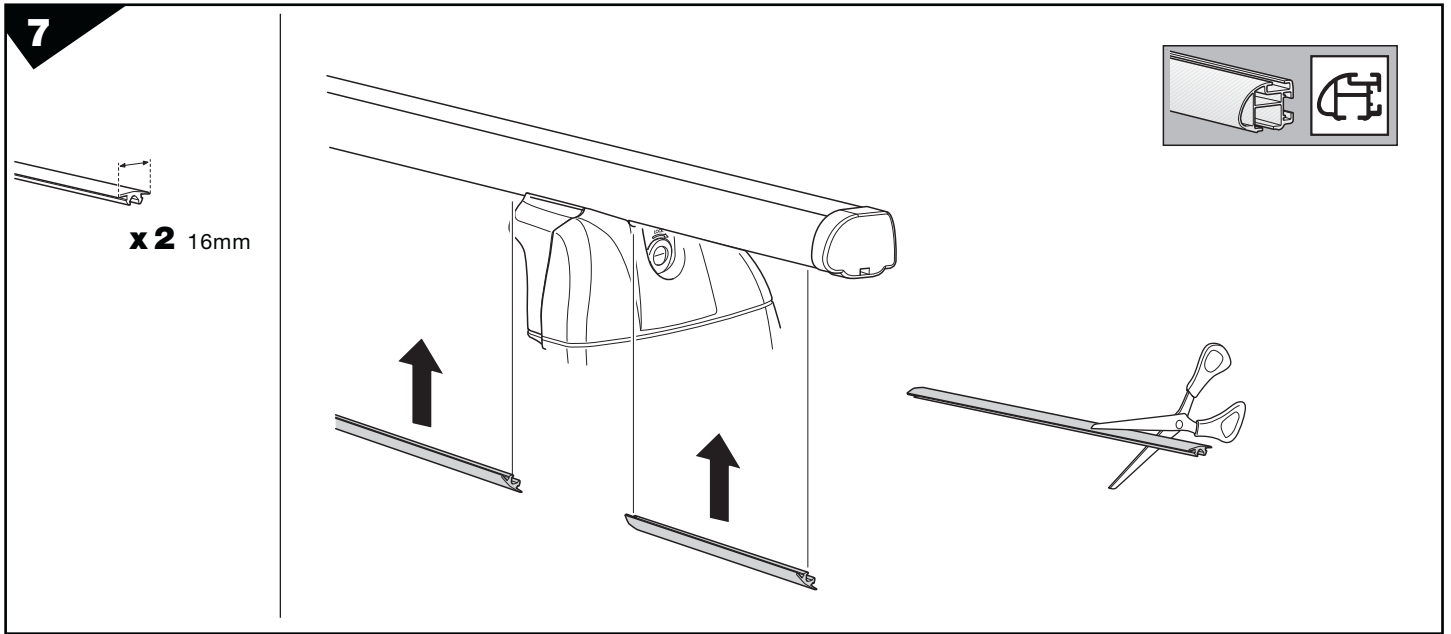


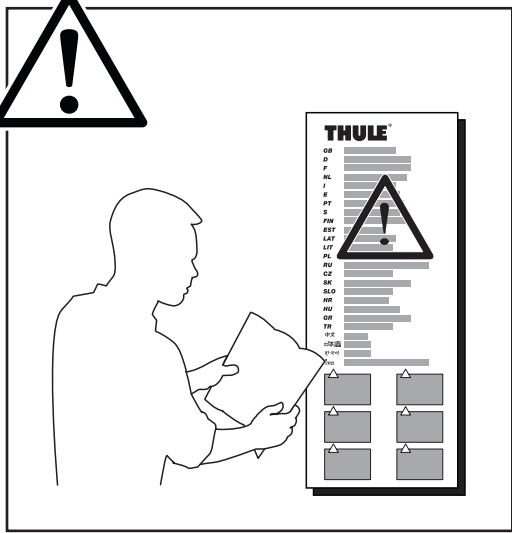
x 4



6





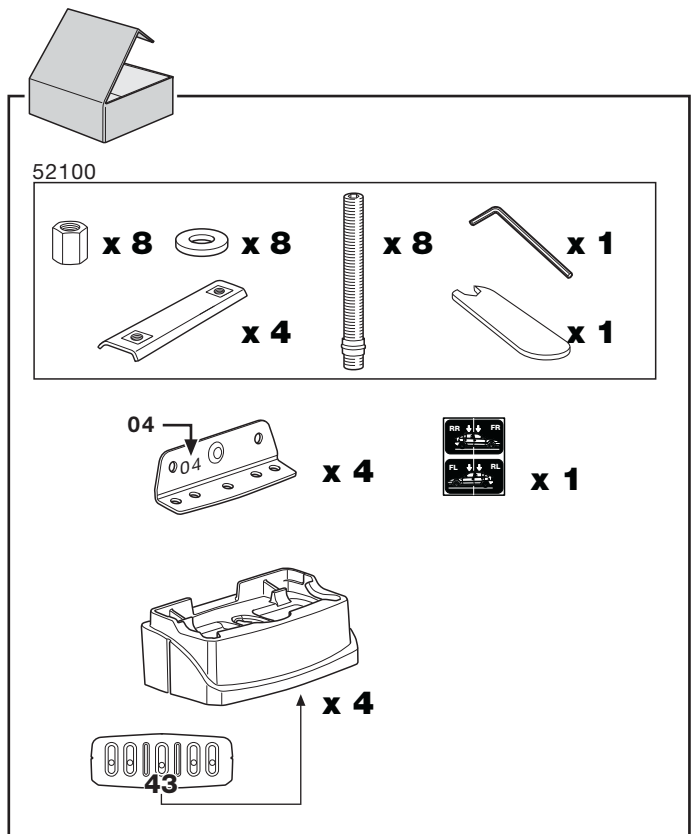
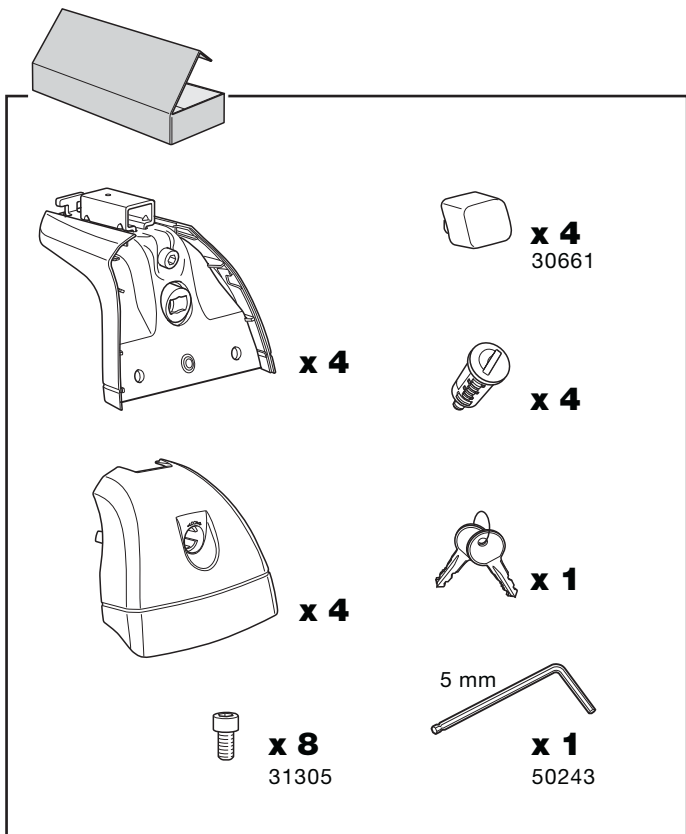
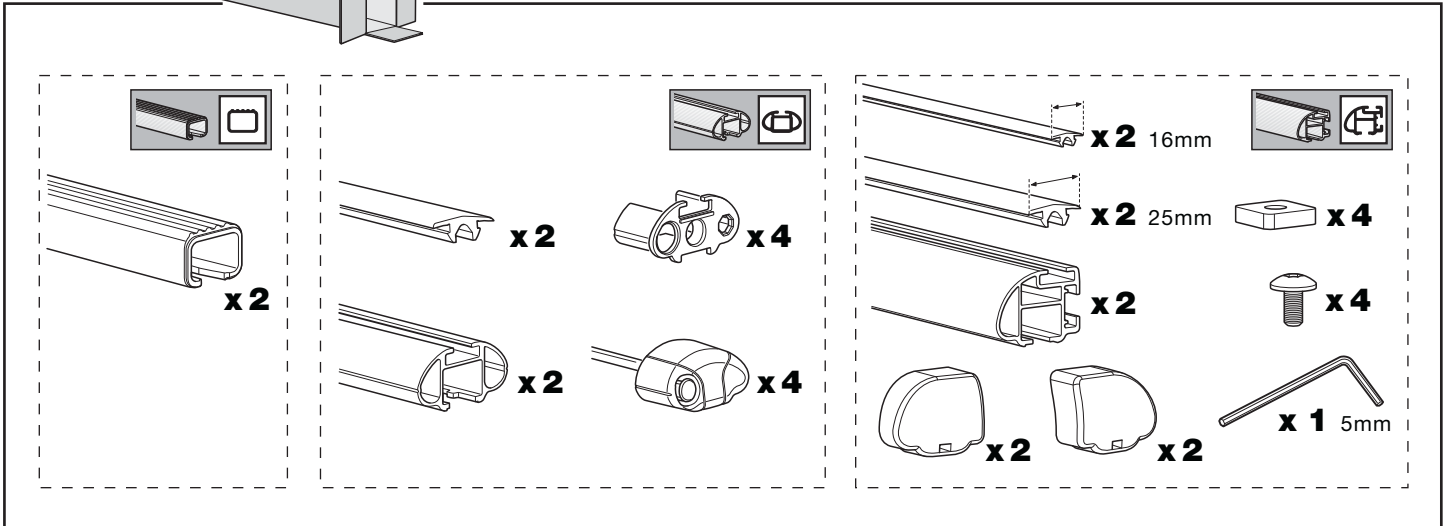
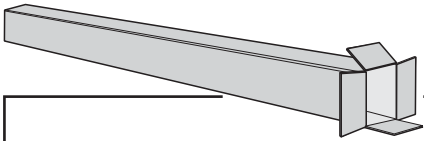
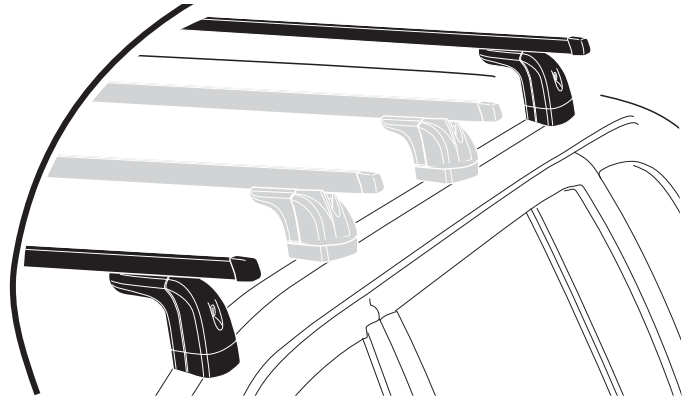


MERCEDES Viano, 4-dr Bus, 96-03, 04- (with T-profile)

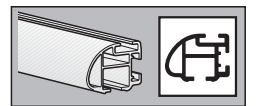
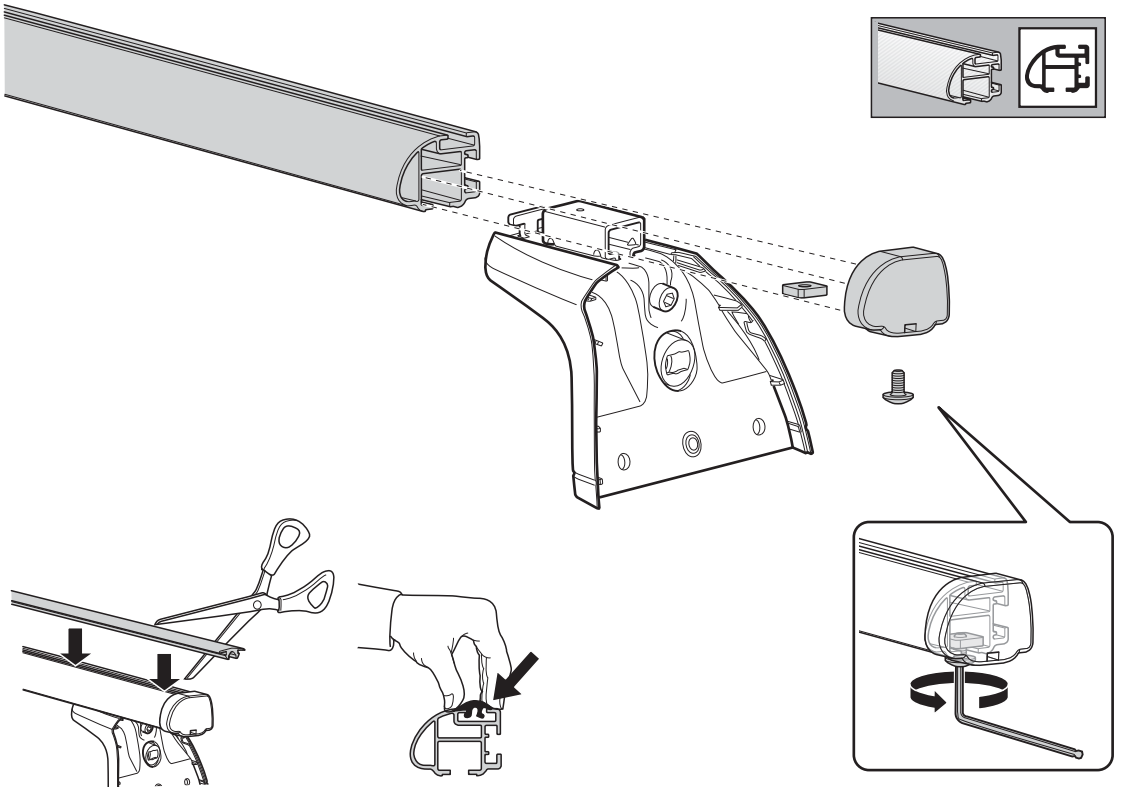
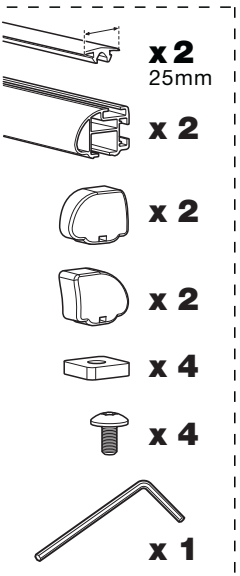
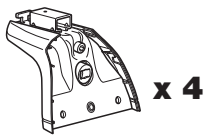
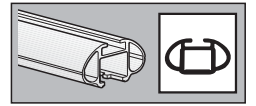
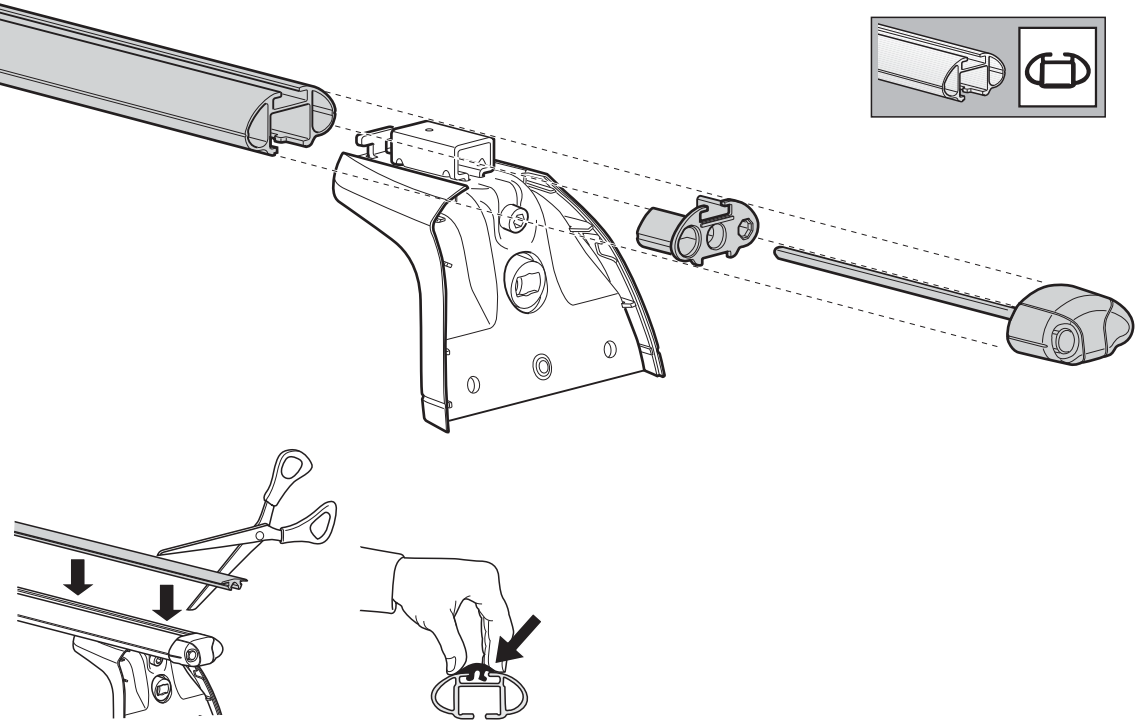
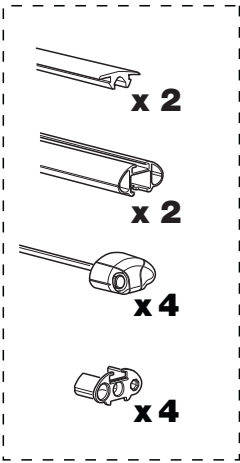
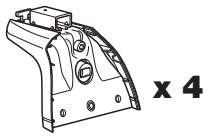
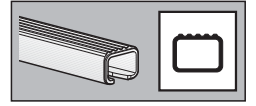
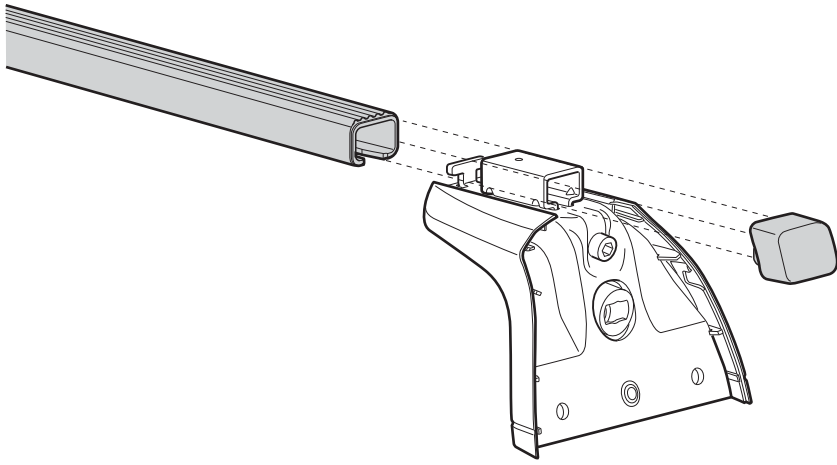
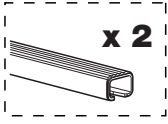
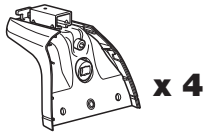
MERCEDES Viano Marco Polo, 4-dr Bus, 96-03, 04- (with T-profile)

MERCEDES Vito, 4-dr Van, 96-03, 04- (with T-profile)

RAPID FIXPOINT XT

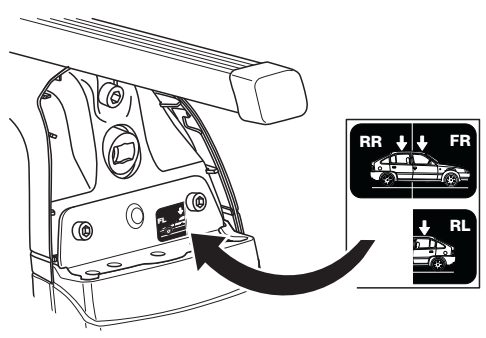
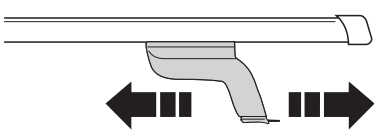
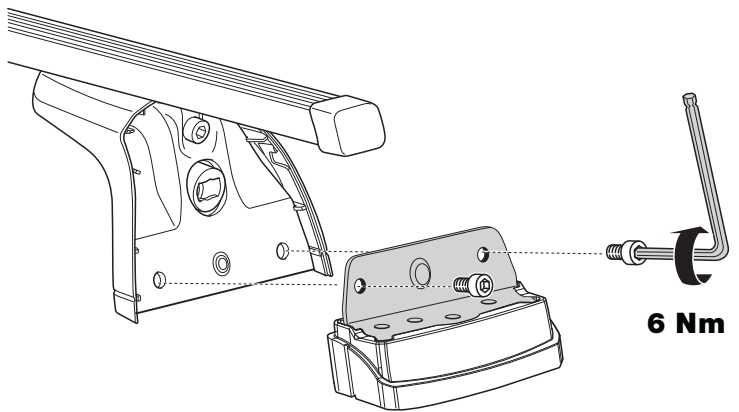
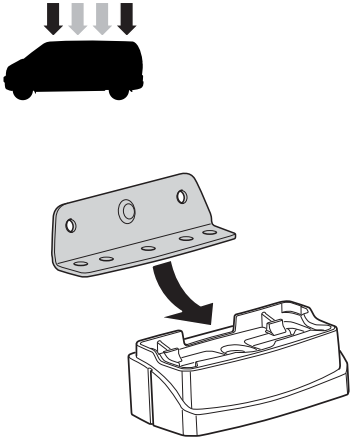
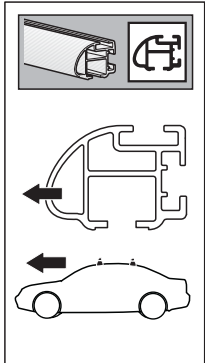
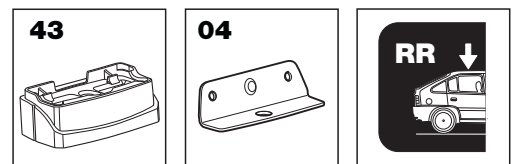
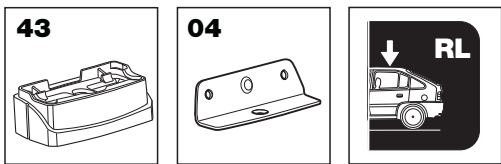
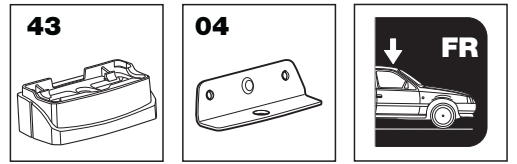
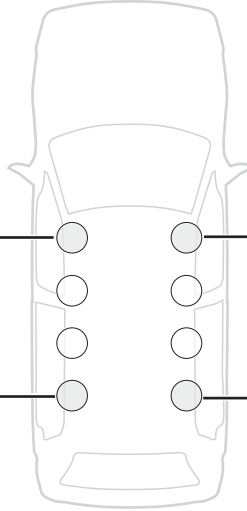
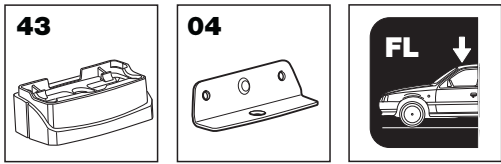
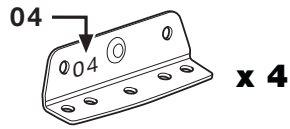
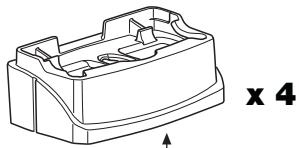


1

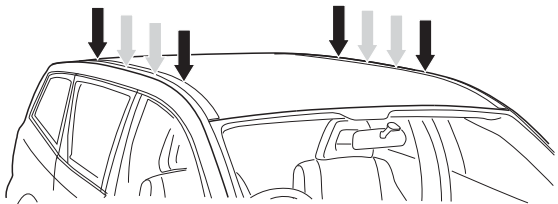
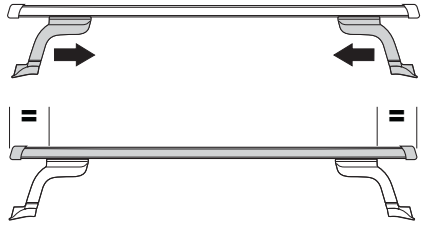
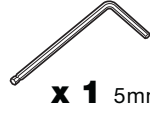
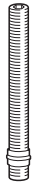
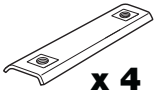


2

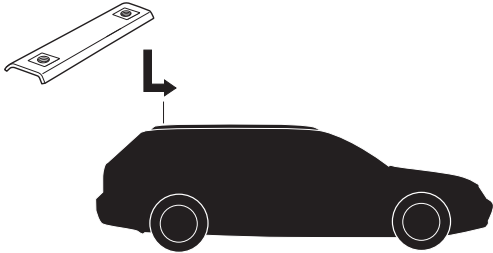
751



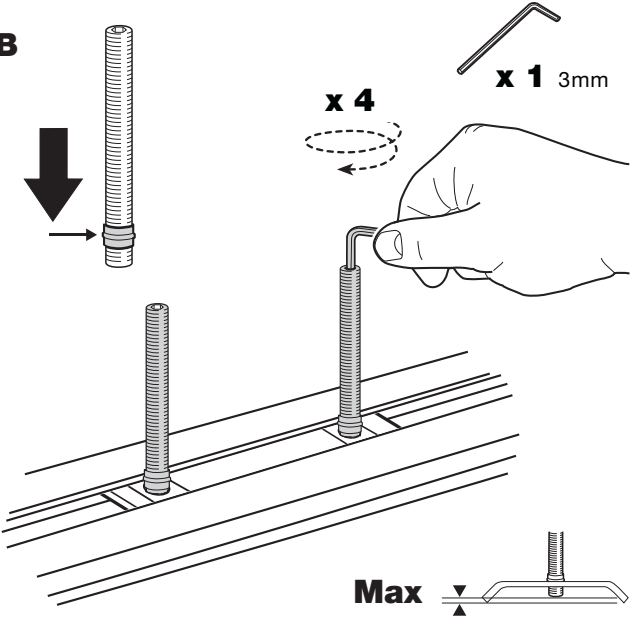
3



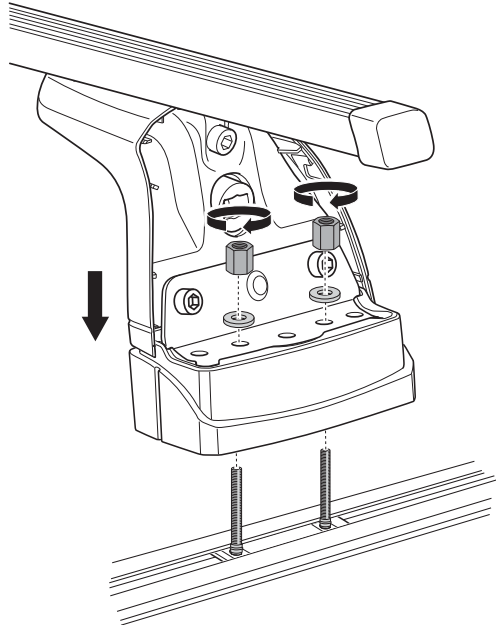
A



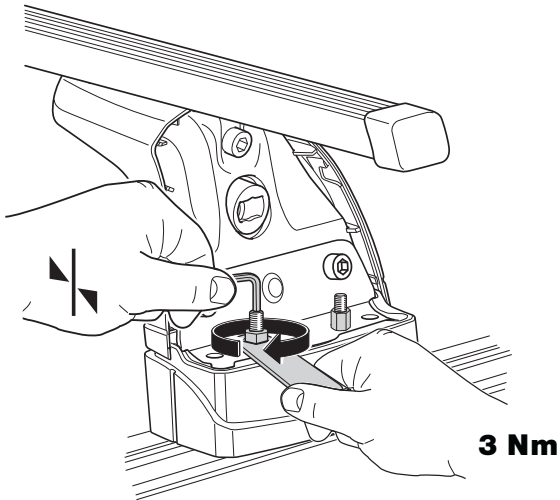
B



C



D



E

