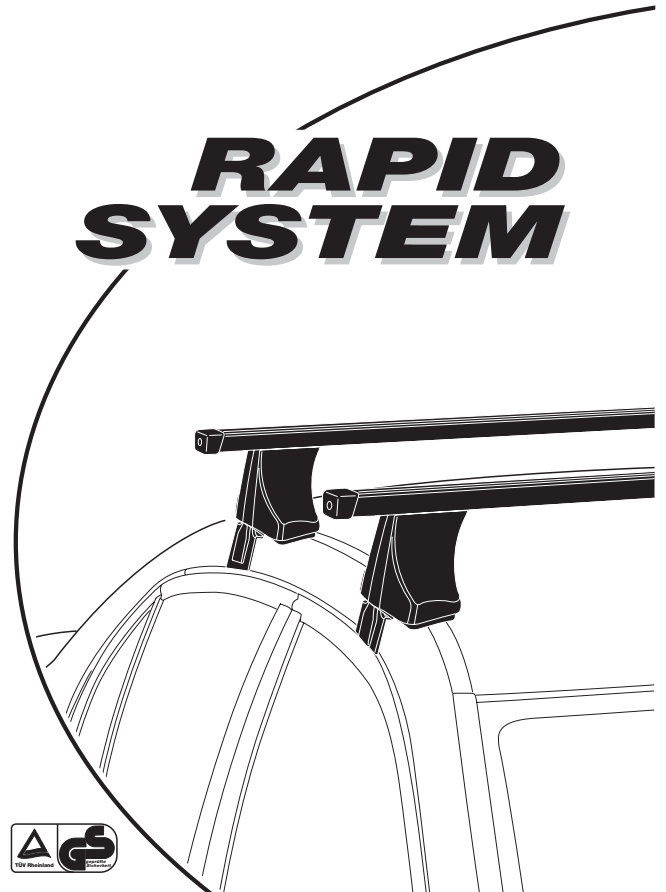


THULE[®]
SWEDEN

Fitting instructions
Instrucciones de montaje
Instruções de Montagem
安装说明

VW Fox, 5-dr Hatchback, 05-
VW Fox, 3-dr Hatchback, 03-

**RAPID
SYSTEM**

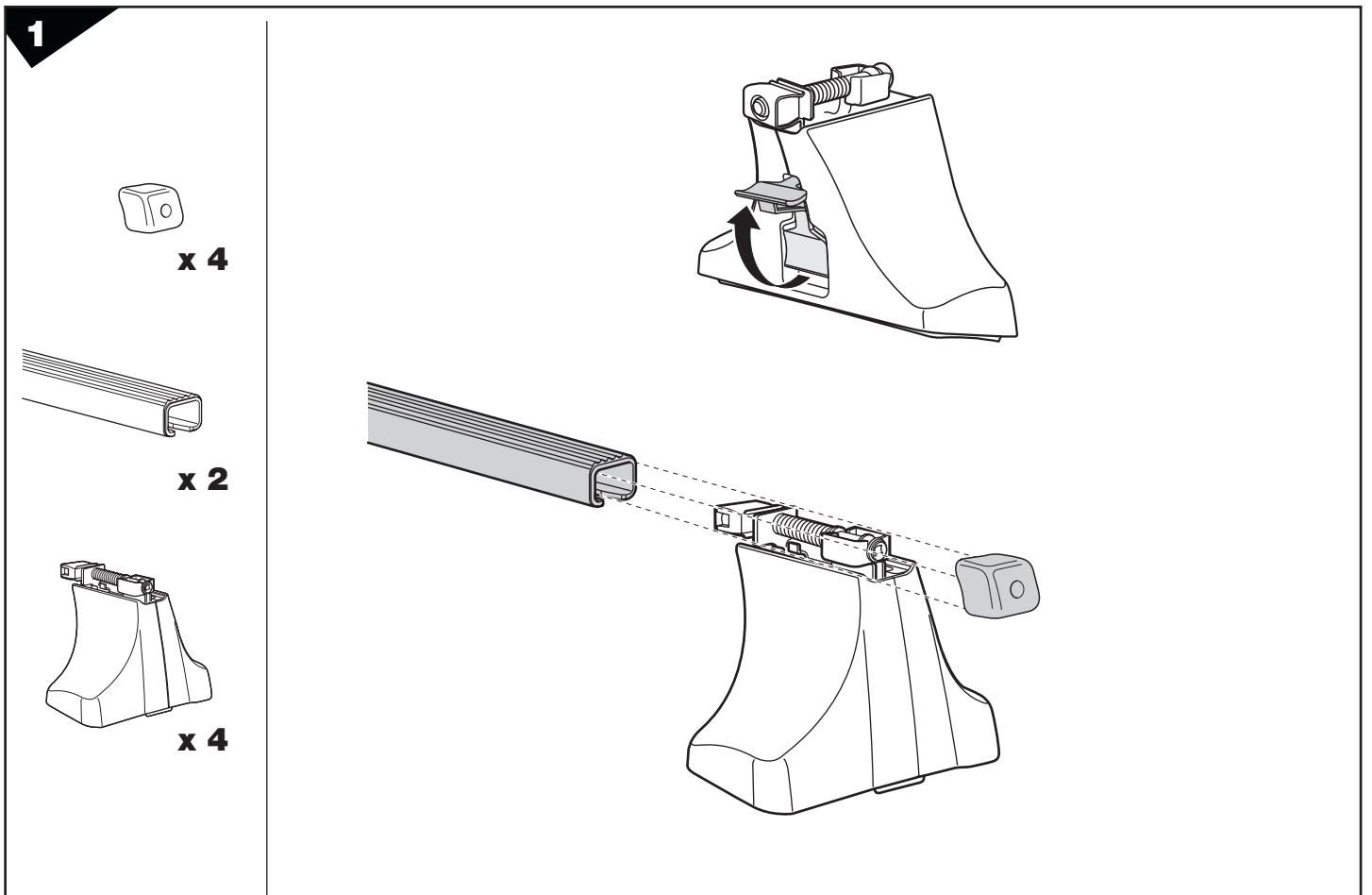
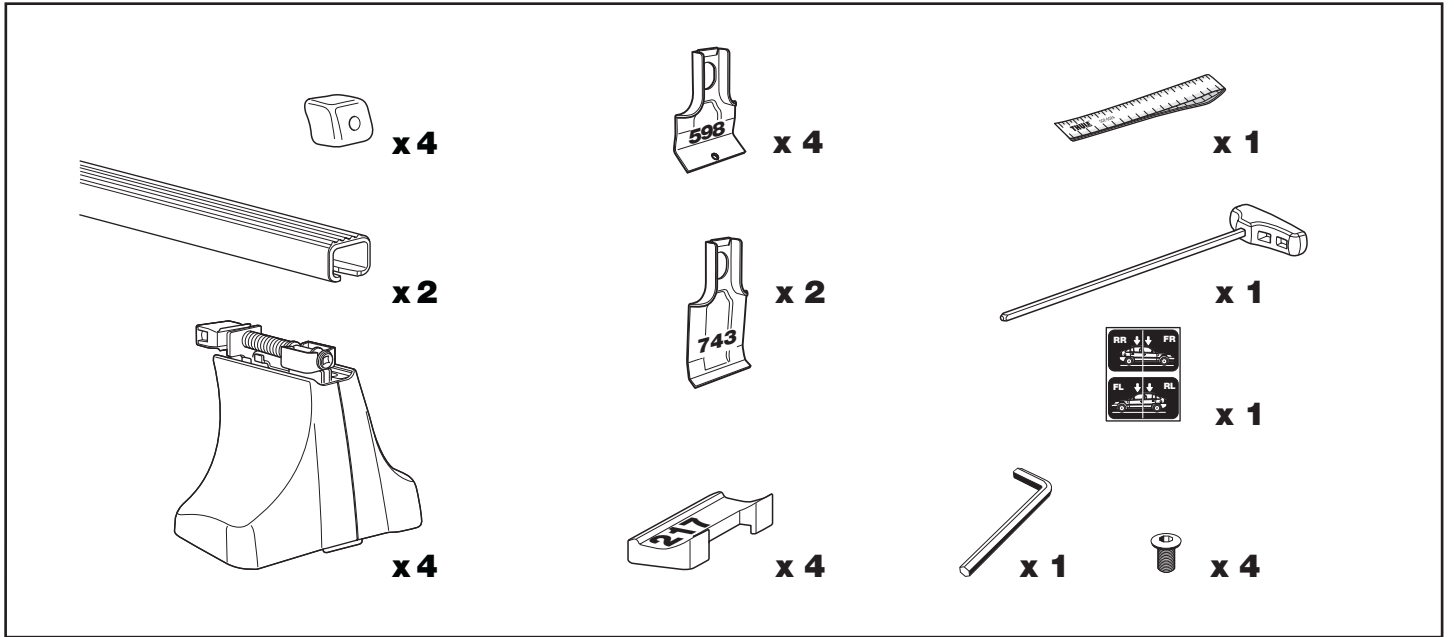
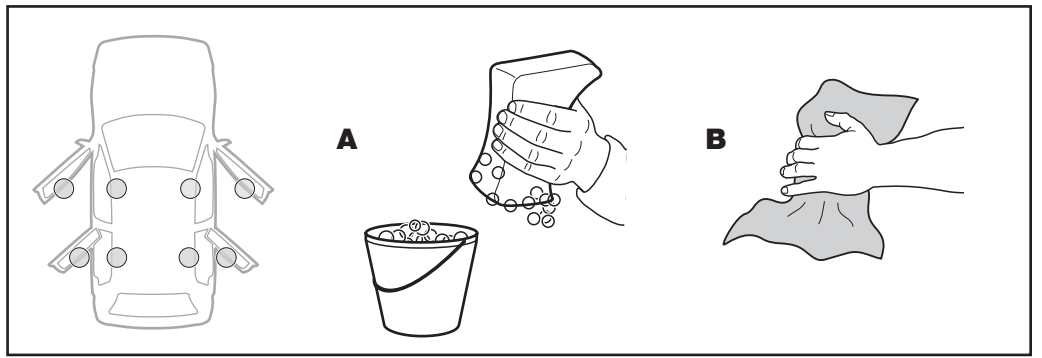
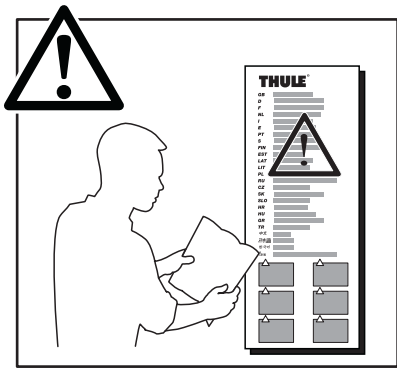


Follow me...

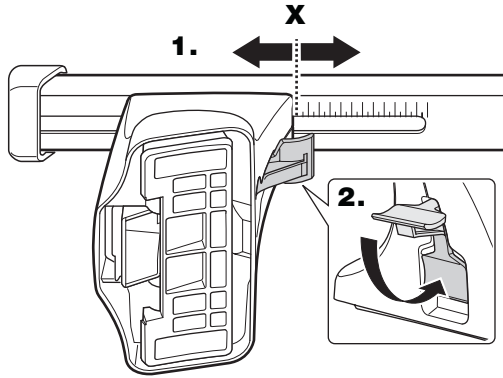
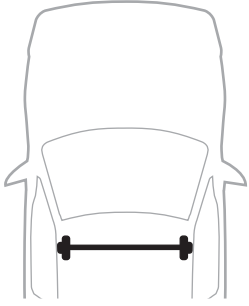
THULE[®]
SWEDEN

Box 69, 330 33 Hillerstorp, SWEDEN
www.thule.com

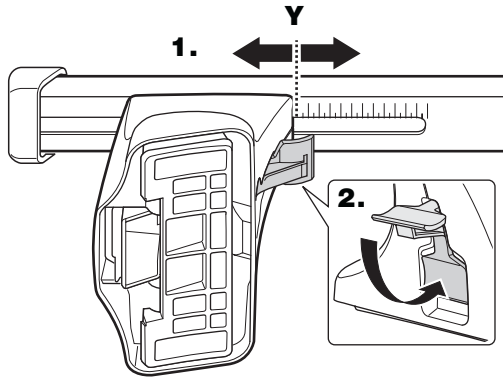
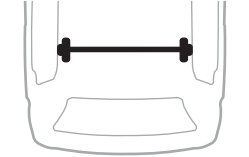
645•3DF/AF/501-7164



2

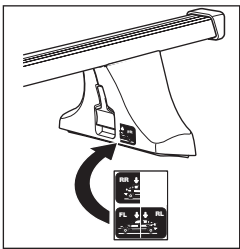
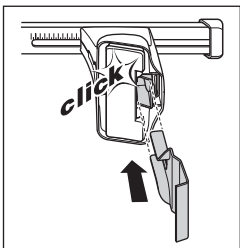
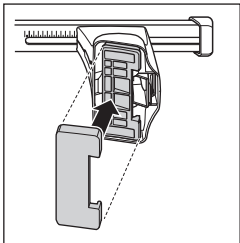


	X
VW Fox, 5-dr Hatchback, 05-	35
VW Fox, 3-dr Hatchback, 03-	35



	Y
VW Fox, 5-dr Hatchback, 05-	32,5
VW Fox, 3-dr Hatchback, 03-	32,5

3



VW Fox, 5-dr Hatchback, 05-

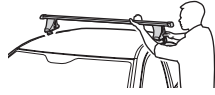


VW Fox, 3-dr Hatchback, 03-

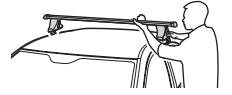




4

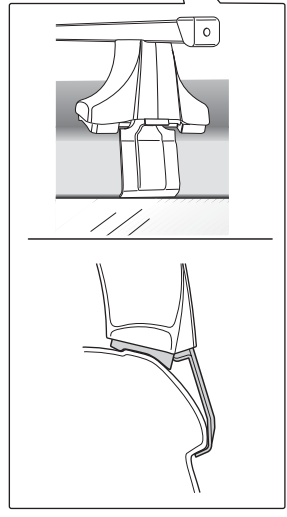
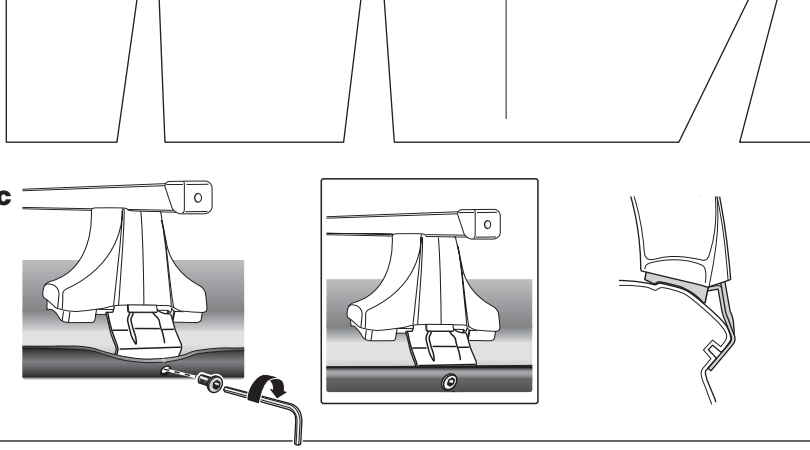
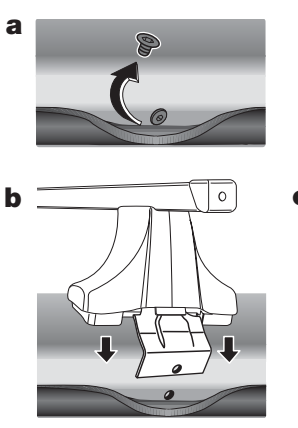
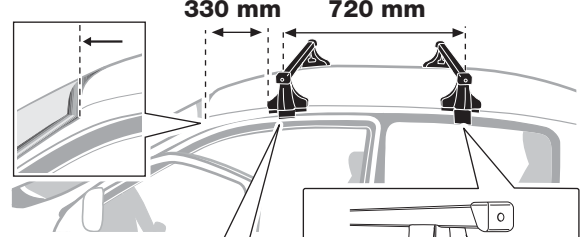
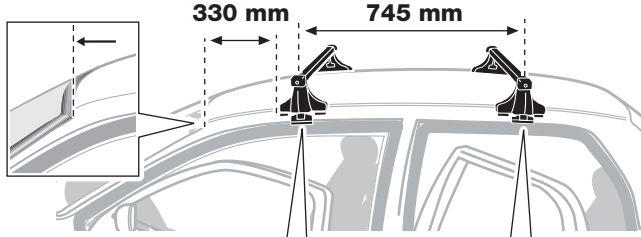
VW Fox, 5-dr Hatchback, 05-



VW Fox, 3-dr Hatchback, 03-



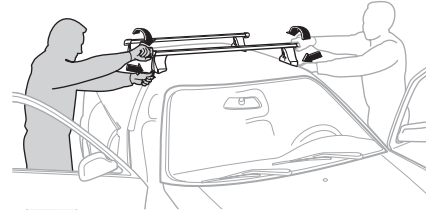
-  x 1
-  x 4

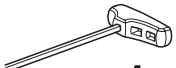


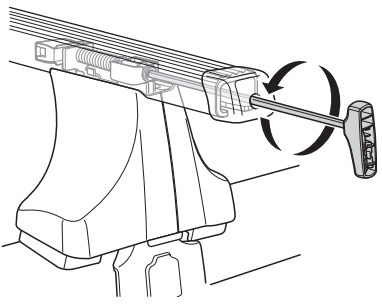
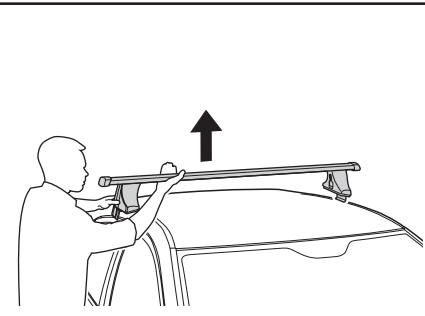
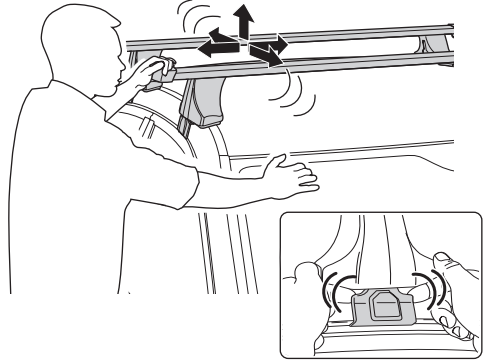
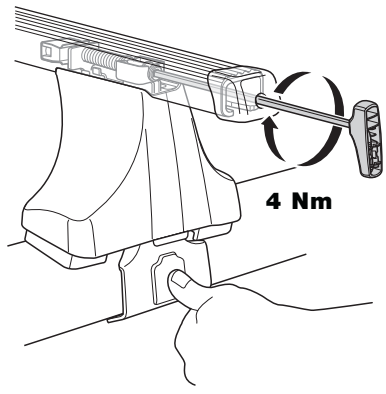
5



Tighten alternately
Alternare il serraggio delle viti
Aperte alternadamente
交替拧紧



-  x 1



Fit Tips!

