

THULE®

SWEDEN

VOLKSWAGEN Polo 3-dr

7 Kg

Max. 65 kg

VOLKSWAGEN Polo 4-dr
VOLKSWAGEN Polo 5-dr

7 Kg

Max. 75 kg

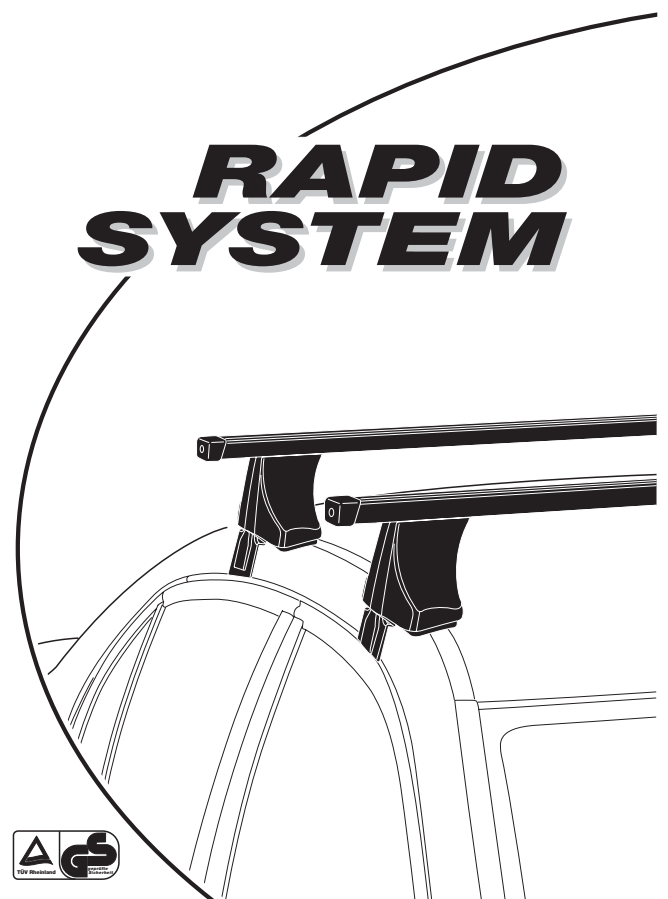
80 130
40 0
km/h

Fitting instructions
Instrucciones de montaje
Instruções de Montagem
安装说明

*VOLKSWAGEN Polo, 3-dr Hatchback, 02-04, 05-
VOLKSWAGEN Polo, 4-dr Sedan, 02-
VOLKSWAGEN Polo, 5-dr Hatchback, 02-04, 05-*

THULE	544	
ONE KEY SYSTEM	596	
	588	

RAPID SYSTEM

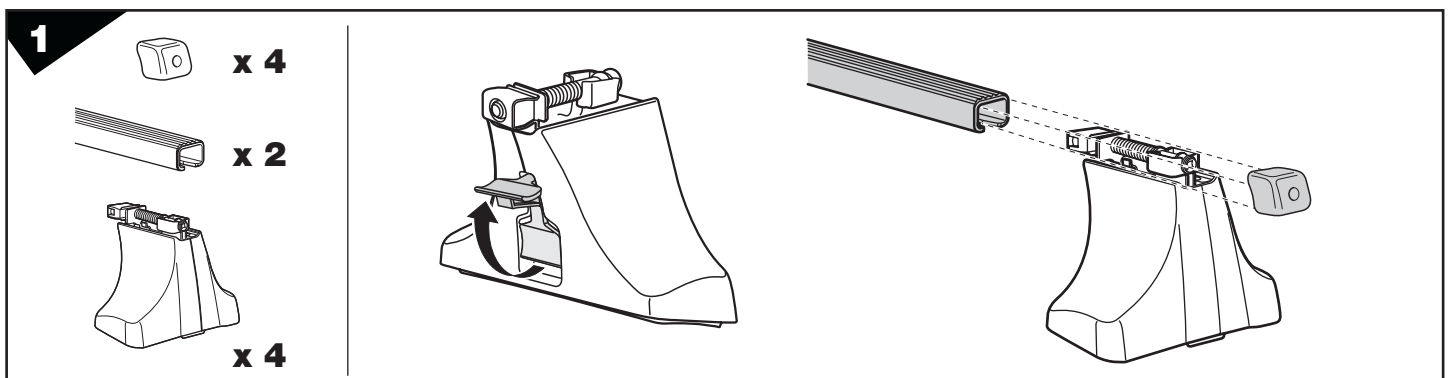
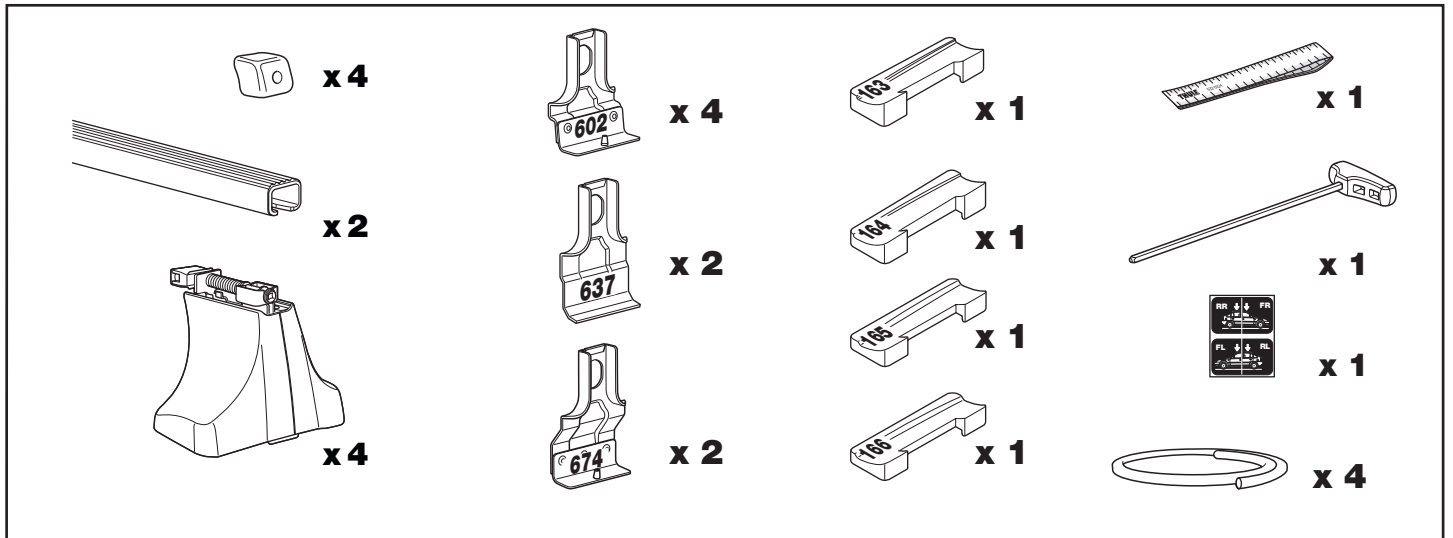
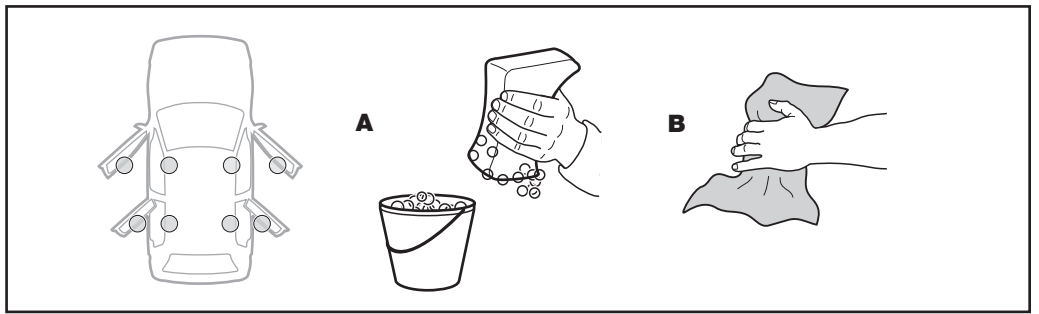
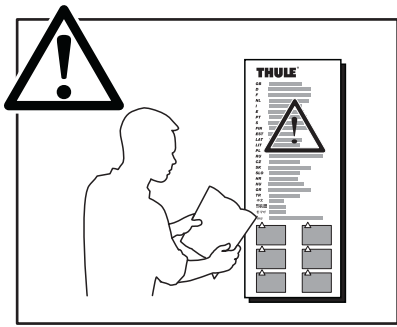


Follow me...

THULE®
SWEDEN
Box 69, 330 33 Hillerstorp, SWEDEN
www.thule.com

645•3DF/AF/501-7161





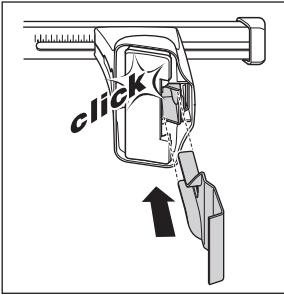
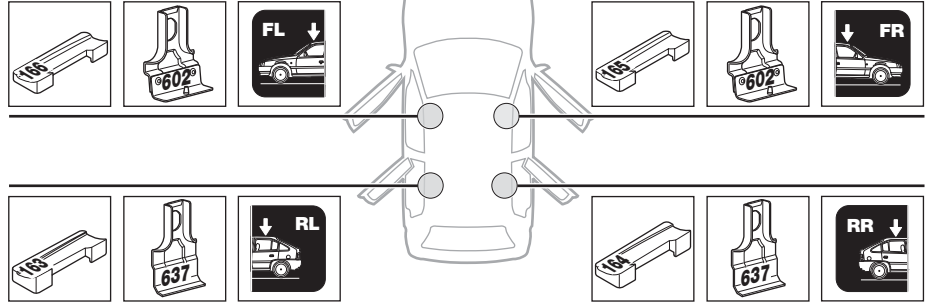
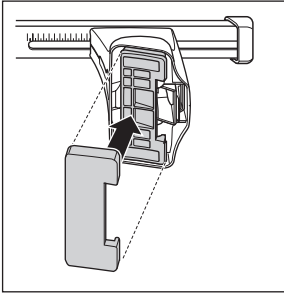
2

	X
VOLKSWAGEN Polo , 3-dr Hatchback, 02-04, 05-	30,5
VOLKSWAGEN Polo , 4-dr Sedan, 02-	30
VOLKSWAGEN Polo , 5-dr Hatchback, 02-04, 05-	30,5

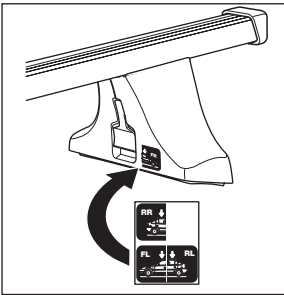
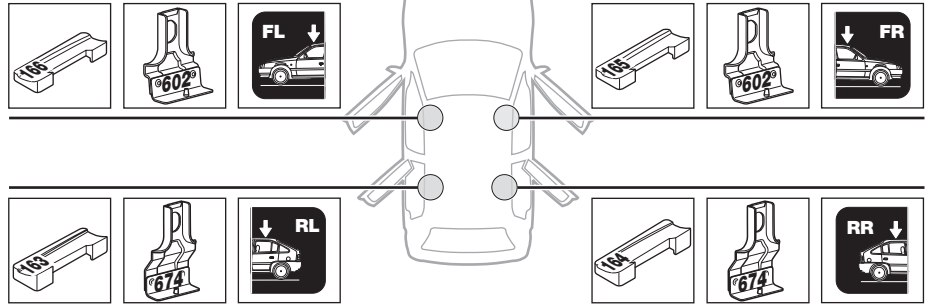
	Y
VOLKSWAGEN Polo , 3-dr Hatchback, 02-04, 05-	27
VOLKSWAGEN Polo , 4-dr Sedan, 02-	28
VOLKSWAGEN Polo , 5-dr Hatchback, 02-04, 05-	27

3

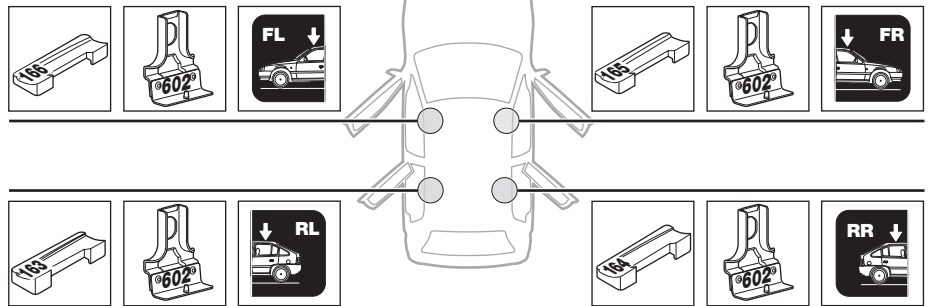
VOLKSWAGEN Polo, 3-dr Hatchback, 02-04, 05-



VOLKSWAGEN Polo, 4-dr Sedan, 02-

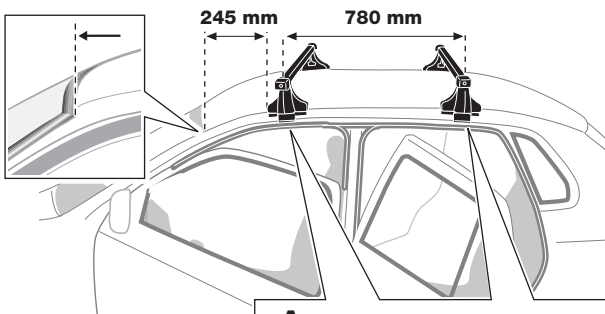
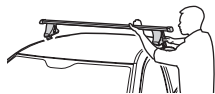


VOLKSWAGEN Polo, 5-dr Hatchback, 02-04, 05-

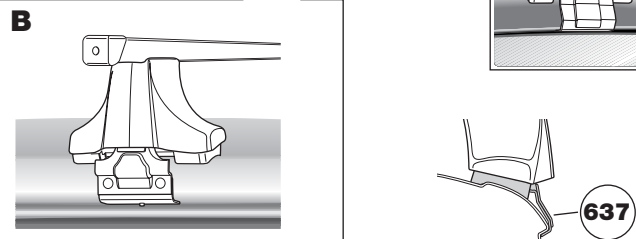
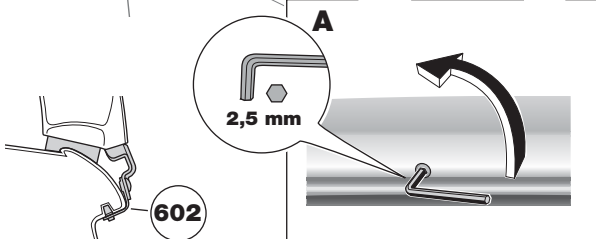
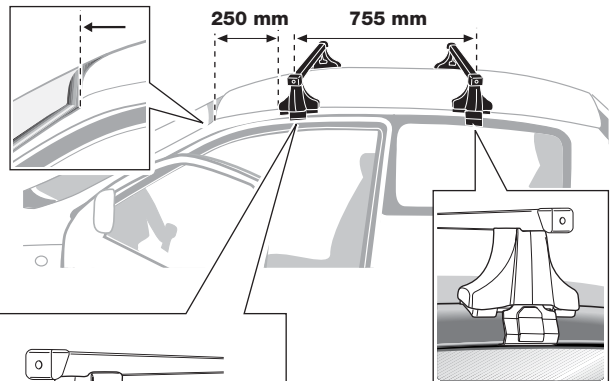


4

VOLKSWAGEN Polo, 5-dr Hatchback, 02-04, 05-



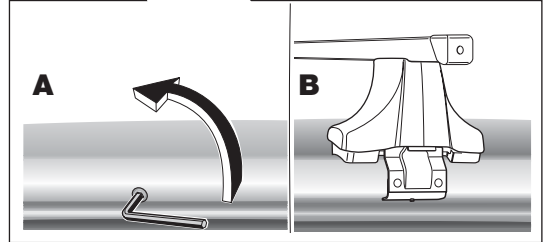
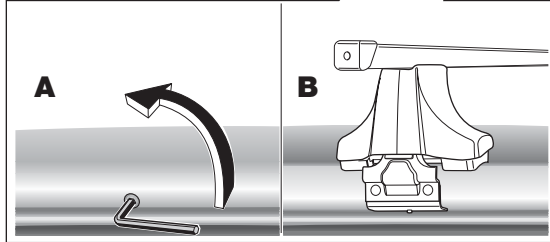
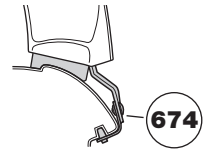
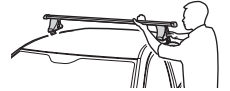
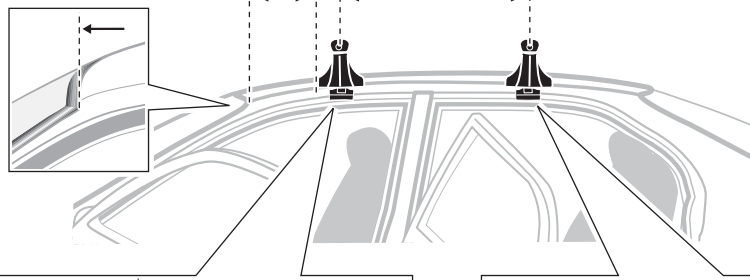
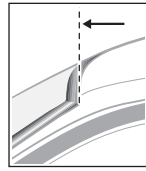
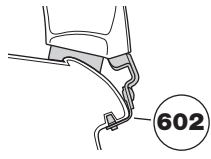
VOLKSWAGEN Polo, 3-dr Hatchback, 02-04, 05-



4

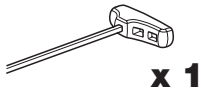
VOLKSWAGEN Polo, 4-dr Sedan, 02-

245 mm 790 mm

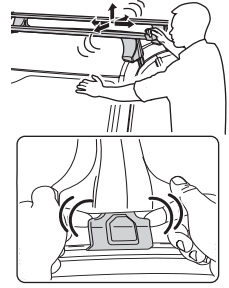
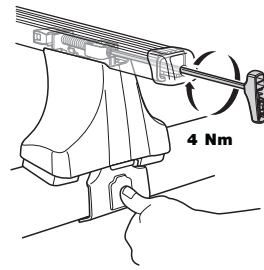
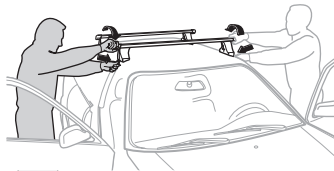


5

Tighten alternately
Alternare il serraggio delle viti
Aperte alternadamente
交替拧紧



x 1

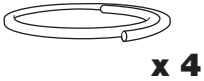


6

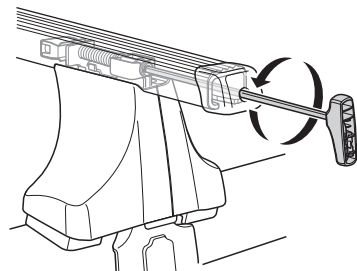
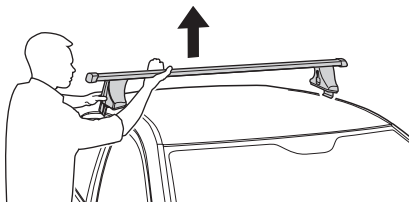
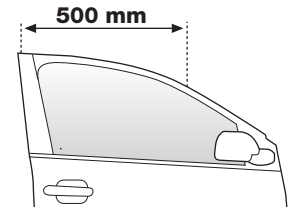
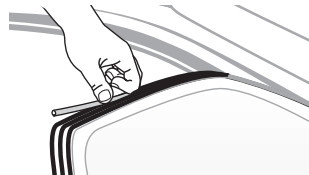
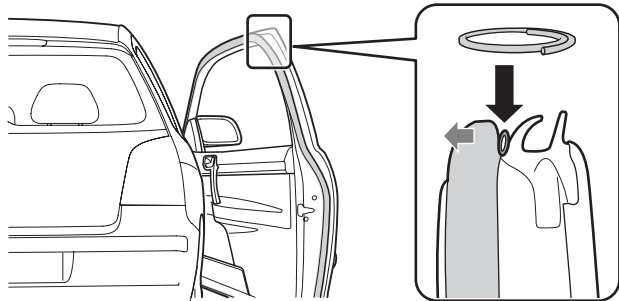
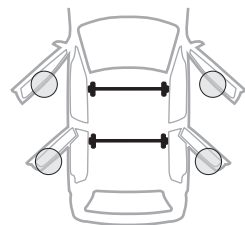
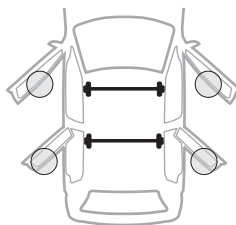
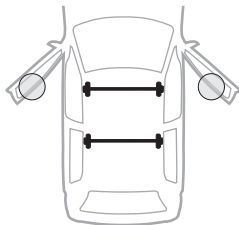
VOLKSWAGEN Polo,
3-dr Hatchback, 02-04, 05-

VOLKSWAGEN Polo,
4-dr Sedan, 02-

VOLKSWAGEN Polo,
5-dr Hatchback, 02-04, 05-



x 4



Fit Tips!

